



## Il classico è di moda

Riscoprire l'autenticità ed il valore del saper vivere con gusto.

Veronica è caratterizzata da un design dalle linee sobrie e pulite.

L'ineccepibile qualità dei materiali utilizzati e la massima cura nei dettagli costruttivi si combinano per garantire un'offerta senza tempo.

Versatilità e funzionalità sono gli aspetti distintivi di questo modello di cucina, studiato per accogliere e razionalizzare l'ambiente cucina.

Veronica è una cucina che invita a riscoprire i valori tradizionali e sempre attuali del ricevere, i valori del vivere con gusto.

## Classic style is in fashion.

Rediscovering tasteful living's authenticity and value.

Veronica is characterised by a design with understated and clean lines. The flawless quality of the materials used and the utmost care in the construction details combine to guarantee a timeless offer.

Versatility and functionality are the very distinguishing features of such model, designed to welcome and rationalise the setting.

Veronica is a kitchen that invites to rediscover the traditional and still valid value of entertaining, the value of tasteful living.



# VERONICA

**CARATTERISTICHE TECNICHE**

<b>ANTE</b>	<p>intelaiata sp.24 mm in massello di frassino con bugna in mdf (conforme US EPA TSCA Title VI) impiallacciata in frassino fiamma verticale nei colori: bianco decapè spazzolato a poro aperto (opz.583), argilla decapè grigio spazzolato a poro aperto (opz.587)</p> <p>intelaiata sp.24 mm in massello di indica con bugna in massello di indica fiamma verticale nei colori: laccato bianco assoluto decapato grigio spazzolato a poro aperto (opz.588), tinto noce spazzolato (opz.589)</p> <p>intelaiata sp.24 mm in massello di castagno con bugna in massello di castagno fiamma verticale nel colore: castagno naturale spazzolato (opz.584)</p> <p>intelaiata sp.24 mm in massello di frassino, bugna in mdf (conforme US EPA TSCA Title VI) impiallacciata frassino laccato a poro aperto nei colori: bianco artico (opz.590), cammello (opz.592), grigio fumo (opz.594), sahara (opz.591), grigio luce (opz.593), grigio reale (opz.595), piombo (opz.598)</p>
<b>ANTE CON GRATA</b>	<p>disponibili nelle misure 71,7x44,6 - 71,7x59,6 - 35,7x44,6 - 35,7x59,6 - 35,7x89,6 nei colori: bianco decapè spazzolato a poro aperto (opz.583G), argilla decapè grigio spazzolato a poro aperto (opz.587G), laccato bianco assoluto decapato grigio spazzolato a poro aperto (opz.588G), tinto noce spazzolato (opz.589G), castagno naturale spazzolato (opz.584G)</p>
<b>FRONTALI CASSETTI</b>	<p>in massello di frassino nei colori: bianco decapè spazzolato a poro aperto (opz.583), argilla decapè grigio spazzolato a poro aperto (opz.587)</p> <p>in massello di indica nei colori: laccato bianco assoluto decapato grigio spazzolato a poro aperto (opz.588), tinto noce spazzolato (opz.589)</p> <p>in massello di castagno nei colori: castagno naturale spazzolato (opz.584)</p> <p>in massello di frassino nei colori: bianco artico (opz.590), cammello (opz.592), grigio fumo (opz.594), sahara (opz.591), grigio luce (opz.593), grigio reale (opz.595), piombo (opz.598)</p>
<b>ANTE VETRO di serie</b>	<p><b>VETRO MOLATO E SERIGRAFATO SP.4 MM</b>  telaio sp.24 mm in massello di frassino nelle finiture: bianco decapè spazzolato a poro aperto (opz.583S), argilla decapè grigio spazzolato a poro aperto (opz.587S)  telaio sp.24 mm in massello di indica nelle finiture: laccato bianco assoluto decapato grigio spazzolato a poro aperto (opz.588S), tinto noce spazzolato (opz.589S)  telaio sp.24 mm in massello di castagno nella finitura: castagno naturale spazzolato (opz.584S)</p> <p><b>VETRO MOLATO SATINATO SP.4 MM</b>  telaio sp.24 mm in massello di frassino nelle finiture: bianco artico (opz.590), cammello (opz.592), grigio fumo (opz.594), sahara (opz.591), grigio luce (opz.593), grigio reale (opz.595), piombo (opz.598)</p>
<b>ANTE VETRO a richiesta</b>	<p><b>VETRO ANTICO "F" SP.4 MM TELAIO CON INGLESINA</b>  telaio sp.24 mm in massello di frassino nelle finiture: bianco decapè spazzolato a poro aperto (opz.583I), argilla decapè grigio spazzolato a poro aperto (opz.587I)  telaio sp.24 mm in massello di indica nelle finiture: laccato bianco assoluto decapato grigio spazzolato a poro aperto (opz.588I), tinto noce spazzolato (opz.589I)  telaio sp.24 mm in massello di castagno nella finitura: castagno naturale spazzolato (opz.584I)</p> <p><b>VETRO ANTICO "F" SP.4 MM TELAIO CON INGLESINA E FORMELLA IN CERAMICA DIPINTA A MANO DECORO CASTAGNE</b>  telaio sp.24 mm in massello di frassino nelle finiture: bianco decapè spazzolato a poro aperto (opz.583IC), argilla decapè grigio spazzolato a poro aperto (opz.587IC)  telaio sp.24 mm in massello di indica nelle finiture: laccato bianco assoluto decapato grigio spazzolato a poro aperto (opz.588IC), tinto noce spazzolato (opz.589IC)  telaio sp.24 mm in massello di castagno nella finitura: castagno naturale spazzolato (opz.584IC)</p> <p><b>VETRO ANTICO "F" SP.4 MM TELAIO CON INGLESINA E FORMELLA IN CERAMICA DIPINTA A MANO DECORO FLOREALE</b>  telaio sp.24 mm in massello di frassino nelle finiture: bianco decapè spazzolato a poro aperto (opz.583IF), argilla decapè grigio spazzolato a poro aperto (opz.587IF),  telaio sp.24 mm in massello di indica nelle finiture: laccato bianco assoluto decapato grigio spazzolato a poro aperto (opz.588IF), tinto noce spazzolato (opz.589IF)  telaio sp.24 mm in massello di castagno nella finitura: castagno naturale spazzolato (opz.584IF)</p> <p><b>VETRO MOLATO BRONZO SP.4 MM</b>  telaio sp.24 mm in massello di frassino nelle finiture: bianco artico (opz.590B), cammello (opz.592B), grigio fumo (opz.594B), sahara (opz.591B), grigio luce (opz.593B), grigio reale (opz.595B), piombo (opz.598B)</p> <p><b>VETRO MOLATO FUMÈ SP.4 MM</b>  telaio sp.24 mm in massello di frassino nelle finiture: bianco artico (opz.590F), cammello (opz.592F), grigio fumo (opz.594F), sahara (opz.591F), grigio luce (opz.593F), grigio reale (opz.595F), piombo (opz.598F)</p>

**CARATTERISTICHE TECNICHE****MANIGLIE****di serie:**

**255P** finitura piombo spazzolato passo mm 160  
per anta L 15 pomo finitura piombo spazzolato 255PP

**255N** finitura nichel satinato passo mm 160  
per anta L 15 pomo finitura nichel satinato 255NP

**255R** finitura rame antico passo mm 160  
per anta L 15 pomo finitura rame antico 255RP

**255T** finitura ottone antico passo mm 160  
per anta L 15 pomo finitura ottone antico 255TP

**a richiesta:**

**227** finitura ottone brunito passo mm 128  
per anta L 15 pomo finitura ottone vecchio 228P

**228** finitura ottone vecchio inserto avorio passo mm 128  
per anta L 15 pomo finitura ottone vecchio 228P

**224** finitura argento antico passo mm 128  
per anta L 15 pomo finitura argento antico 224P

**225** finitura argento antico passo mm 128  
per anta L 15 pomo finitura argento antico 224P

**263** finitura nichel opaco con swarovski passo mm 128  
per anta L 15 pomo finitura nichel opaco con swarovski 263P

**266** finitura argento orientale passo mm 128  
per anta L 15 pomo argento orientale 266/1 passo 64 mm

**264** finitura argento antico passo mm 128  
per anta L 15 pomo finitura argento antico 264P

**K91** finitura canna di fucile spazzolato passo mm 160  
per anta L 15 pomo 240P finitura canna di fucile spazzolato

**K91G** finitura oro passo mm 160  
per anta L 15 pomo K91GP finitura oro

**256P** finitura peltro spazzolato passo mm 160  
per anta L 15 pomo finitura peltro spazzolato 256PP

**257N** finitura nichel satinato passo mm 160  
per anta L 15 pomo finitura nichel satinato 257NP

**257S** finitura silver dark passo mm 160  
per anta L 15 pomo finitura silver dark 257SP

**620** pomo in ceramica colore avorio

**STRUTTURE**

**ANTE: bianco decapè spazzolato a poro aperto, sahara**  
nobilitato lino effetto tela (opz.8920) schiena e ripiano conchiglia (opz.8910)

**ANTA: tinto noce spazzolato**  
nobilitato teff effetto tela (opz.9496) schiena e ripiano visone (opz.948M)

**ANTA: argilla decapè grigio spazzolato a poro aperto, cammello**  
nobilitato juta effetto tela (opz.9490) schiena e ripiano visone (opz.948M)

**ANTA: laccato bianco assoluto decapato grigio spazzolato, bianco artico, grigio fumo, grigio luce, grigio reale, piombo**  
nobilitato grigio effetto tela (opz.9695) schiena e ripiano argilla (opz.9690)

**a richiesta:** nobilitato bianco (opz.001) schiena e ripiano bianco (opz.001)  
nobilitato visone (opz.948M) schiena e ripiano visone (opz.948M)  
nobilitato fango (opz.8860) schiena e ripiano fango (opz.8860)  
nobilitato conchiglia (opz.8910) schiena e ripiano conchiglia (opz.8910)  
nobilitato argilla (opz.9690) schiena e ripiano argilla (opz.9690)  
nobilitato lavagna (opz.9620) schiena e ripiano lavagna (opz.9620)  
nobilitato castagno naturale (opz.581) schiena e ripiano bianco (opz.001)  
nobilitato castagno tinto noce (opz.582) schiena e ripiano bianco (opz.001)

**MENSOLE**

vedi pag.33

**ZOCCOLI**

vedi pag.34



**TH. 24 MM****TECHNICAL FEATURES****DOORS**

24 mm-thick frame made of solid ash with MDF raised panel (conforming to US EPA TSCA Title VI) with ash veneer with vertical grain, in the following colours: open-pore brushed pickled white (opt. 583), open-pore brushed pickled clay grey (opt. 587)

solid Indica frame Th. 24 mm with solid wood raised panel with vertical grain in the following finishes: absolute white lacquer open-pore brushed pickled grey (opt. 588), brushed walnut stained (opt. 589)

solid chestnut frame Th. 24 mm with solid chestnut vertical grain raised panel in the following finish: brushed natural chestnut (opt. 584)

24 mm-thick frame made of solid ash with MDF raised panel (conforming to US EPA TSCA Title VI) with ash veneer with open-pore lacquer finish, in the following colours: arctic white (opt. 590), camel (opt. 592), smoke grey (opt. 594), sahara (opt. 591), light grey (opt. 593), royal grey (opt. 595), lead (opt. 598)

**DOORS WITH GRATING**

available in sizes 71.7 x 44.6 - 71.7 x 59.6 - 35.7 x 44.6 - 35.7 x 59.6 - 35.7 x 89.6 in the following colours: open-pore brushed pickled white (opt. 583G), open-pore brushed pickled clay grey (opt. 587G), absolute white lacquer open-pore brushed pickled grey (opt. 588G), brushed walnut-stained (opt. 589G), brushed natural chestnut (opt. 584G)

**DRAWER FRONT PANELS**

in solid ash in the following colours: open-pore brushed pickled white (opt. 583), open-pore brushed pickled clay grey (opt. 587)

in solid Indica in the following colours: absolute white lacquer open-pore brushed pickled grey (opt. 588), brushed walnut stained (opt. 589)

in solid chestnut in the following colours: brushed natural chestnut (opt.584)

in solid ash in the following colours: arctic white (opt. 590), camel (opt. 592), smoke grey (opt. 594), sahara (opt. 591), light grey (opt. 593), royal grey (opt. 595), lead (opt. 598)

**GLASS DOORS as standard****4 MM THICK SCREEN-PRINTED AND GROUND GLASS**

24 mm Th. solid ash frame in the following finish: open-pore brushed pickled white (opt. 583S), open-pore brushed pickled clay grey (opt. 587S)

24 mm Th. solid Indica frame in the following finishes: absolute white lacquer open-pore brushed pickled grey (opt. 588S), brushed walnut-stained (opt. 589S)

24 mm Th. solid chestnut frame in the following finish: brushed natural chestnut (opt. 584S)

**4 MM THICK GROUND AND FROSTED GLASS**

24 mm Th. solid ash frame in the following finishes: arctic white (opt. 590), camel (opt. 592), smoke grey (opt. 594), sahara (opt. 591), light grey (opt. 593), royal grey (opt. 595), lead (opt. 598)

**GLASS DOORS on request****4MM THICK ANTIQUE GLASS "F" FRAME WITH GLASS PANELS**

24 mm Th. solid ash frame in the following finish: open-pore brushed pickled white (opt. 583I), open-pore brushed pickled clay grey (opt. 587I)

24 mm Th. solid Indica frame in the following finishes: absolute white lacquer open-pore brushed pickled grey (opt. 588I), brushed walnut-stained (opt. 589I)

24 mm Th. solid chestnut frame in the following finish: brushed natural chestnut (opt. 584I)

**4MM THICK ANTIQUE GLASS "F" FRAME WITH GLASS PANELS AND HAND-PAINTED CERAMIC TILE WITH CHESTNUT DECORATION**

24 mm Th. solid ash frame in the following finish: open-pore brushed pickled white (opt. 583IC), open-pore brushed pickled clay grey (opt. 587IC)

24 mm Th. solid Indica frame in the following finishes: absolute white lacquer open-pore brushed pickled grey (opt. 588IC), brushed walnut-stained (opt. 589IC)

24 mm Th. solid chestnut frame in the following finish: brushed natural chestnut (opt. 584IC)

**4MM THICK ANTIQUE GLASS "F" FRAME WITH GLASS PANELS AND HAND-PAINTED CERAMIC TILE WITH FLORAL DECORATION**

24 mm Th. solid ash frame in the following finish: open-pore brushed pickled white (opt. 583IF), open-pore brushed pickled clay grey (opt. 587IF)

24 mm Th. solid Indica frame in the following finishes: absolute white lacquer open-pore brushed pickled grey (opt. 588IF), brushed walnut-stained (opt. 589IF)

24 mm Th. solid chestnut frame in the following finish: brushed natural chestnut (opt. 584IF)

**4 MM THICK GROUND AND BRONZED GLASS**

24 mm Th. solid ash frame in the following finishes: arctic white (opt. 590B), camel (opt. 592B), smoke grey (opt. 594B), sahara (opt. 591B), light grey (opt. 593B), royal grey (opt. 595B), lead (opt. 598B)

**4MM THICK GROUND AND SMOKED GLASS**

24 mm Th. solid ash frame in the following finishes: arctic white (opt. 590F), camel (opt. 592F), smoke grey (opt. 594F), sahara (opt. 591F), light grey (opt. 593F), royal grey (opt. 595F), lead (opt. 598F)



**TECHNICAL FEATURES****HANDLES****standard:**

**255P** brushed lead finish, centre-to-centre distance 160 mm  
for door W 15 brushed lead finish knob 255PP

**255N** satin nickel finish, centre-to-centre distance 160 mm  
for door W 15 satin nickel finish knob 255NP

**255R** antique copper finish, centre-to-centre distance 160 mm  
for door W 15 antique copper finish knob 255RP

**255T** antique brass finish, centre-to-centre distance 160 mm  
for door W 15 antique brass finish knob 255TP

**on request:**

**227** burnished brass finish, centre-to-centre distance 128 mm  
for door W 15 knob with old brass finish 228P

**228** old brass finish with ivory insert, centre-to-centre distance 128 mm  
for door W 15 knob with old brass finish 228P

**224** antique silver finish, centre-to-centre distance 128 mm  
for door W 15 antique silver finish knob 224P

**225** antique silver finish, centre-to-centre distance 128 mm  
for door W 15 antique silver finish knob 224P

**263** matt nickel finish with swarovski crystals, 128 mm centre-to-centre distance  
for door W 15 matt nickel knob with swarovski crystals 263P

**266** oriental silver finish, centre-to-centre distance 128 mm  
for door W 15 oriental silver knob 266/1, centre-to-centre distance 64 mm

**264** antique silver finish, centre-to-centre distance 128 mm  
for door W 15 antique silver finish knob 264P

**K91** brushed gunmetal finish, 160 mm centre-to-centre distance  
for door W 15, knob 240P with brushed gunmetal finish

**K91G** gold finish, 160 mm centre-to-centre distance  
for door W 15 gold finish K91GP knob

**256P** brushed pewter finish, centre-to-centre distance 160 mm  
for door W 15 brushed pewter finish knob 256PP

**257N** satin nickel finish, centre-to-centre distance 160 mm  
for door W 15 satin nickel finish knob 257NP

**257S** dark silver finish, centre-to-centre distance 160 mm  
for door W 15 dark silver finish knob 257SP

**620** ivory coloured ceramic knob hole

**CARCASSES****DOORS: open-pore brushed pickled white, sahara**

linen melamine-coated canvas effect (opt.8920) shell back panel and shelf (opt. 8910)

**DOOR: brushed chestnut stained**

teff melamine-coated canvas effect (opt.9496) mink back panel and shelf (opt. 948M)

**DOOR: open-pore brushed pickled clay grey, camel**

jute melamine-coated canvas effect (opt.9490) mink back panel and shelf (opt. 948M)

**DOOR: absolute white lacquer open-pore brushed pickled grey, arctic white, smoke grey, light grey, royal grey, lead grey** melamine-coated canvas effect (opt.9695) clay back panel and shelf (opt. 9690)

**on request:** melamine-coated white (opt.001), white back panel and shelf (opt.001)  
melamine-coated mink (opt.948M), mink back panel and shelf (opt.948M)  
melamine-coated mud (opt.8860) mud back panel and shelf (opt.8860)  
melamine-coated shell (opt.8910) shell back panel and shelf (opt.8910)  
melamine-coated clay (opt.9690) clay back panel and shelf (opt.9690)  
melamine-coated slate grey (opt.9620) slate grey back panel and shelf (opt.9620)  
melamine-coated natural chestnut (opt.581), white back panel and shelf (opt.001)  
melamine-coated walnut-stained (opt.582), white back panel and shelf (opt.001)

**SHELVES**

see page 33

**PLINTHS**

see page 34



cod. **404** SP. 24 MM

# VERONICA

ante in frassino bianco decapè spazzolato a poro aperto  
doors in open-pore brushed pickled white ash

 *colori in pronta consegna  
available colours*



anta (opz.583)  
door (opt. 583)



anta con grata (opz.583G)  
door with grating  
(opt. 583G)



frontale cestone (opz.583)  
deep drawer front panel  
(opt. 583)

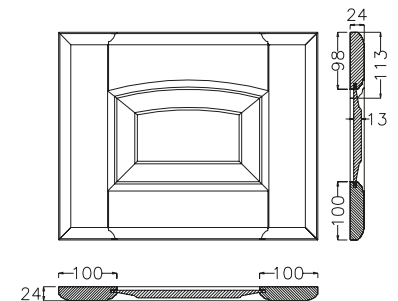


frontale cestone con grata  
(opz.583G)  
deep drawer front panel  
with grating (opt. 583G)



frontale cassetto  
(opz.583)  
drawer front panel  
(opt. 583)

SP. 24 MM



cod. **404** SP. 24 MM

# VERONICA

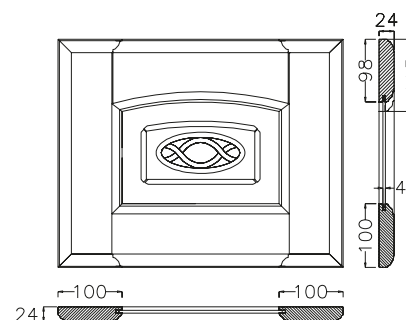
ante vetro frassino bianco decapè spazzolato a poro aperto  
 glass doors in open-pore brushed pickled white ash



vetro molato e serigrafato  
 (opz.583S)  
 screen-printed and ground  
 glass (opt. 583S)

 *colori in pronta consegna  
 available colours*

SP. 24 MM

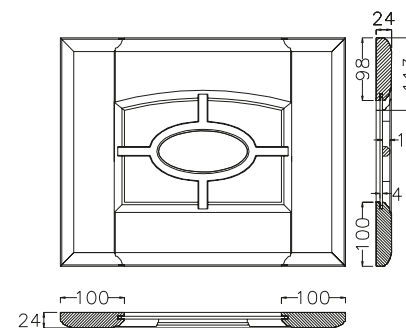


inglesina con vetro antico  
 "F" (opz.583I)  
 glass panels with antique  
 glass "F" (opt. 583I)

inglesina con formella  
 in ceramica dipinta a mano  
 decoro castagne,  
 vetro antico "F" (opz.583IC)  
 glass panels with  
 hand-painted ceramic tile with  
 chestnut decoration, antique  
 glass "F" (opt. 583IC)

inglesina con formella  
 in ceramica dipinta a mano  
 decoro floreale,  
 vetro antico "F" (opz.583IF)  
 glass panels with  
 hand-painted ceramic tile with  
 floral decoration, antique  
 glass "F" (opt. 583IF)

SP. 24 MM



cod. **404** SP. 24 MM

# VERONICA

ante in frassino argilla decapè grigio spazzolato a poro aperto  
doors in open-pore brushed pickled clay grey ash

 *colori in pronta consegna  
available colours*



anta (opz.587)  
door (opt. 587)



anta con grata (opz.587G)  
door with grating  
(opt. 587G)



frontale cestone (opz.587)  
deep drawer front panel  
(opt. 587)

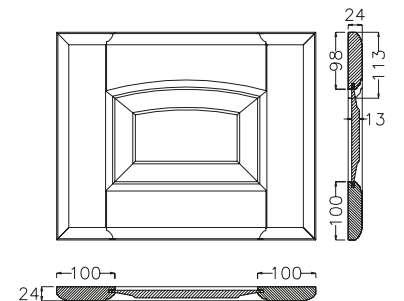


frontale cestone con grata  
(opz.587G)  
deep drawer front panel  
with grating (opt. 587G)



frontale cassetto  
(opz.587)  
drawer front panel  
(opt. 587)

SP. 24 MM





cod. **404** SP. 24 MM

# VERONICA

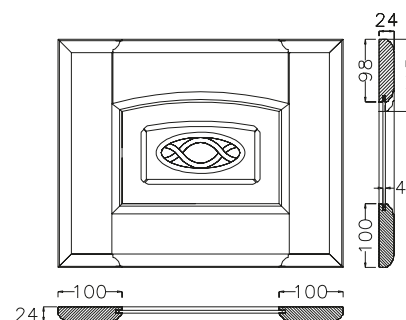
ante vetro in frassino argilla decapè grigio spazzolato a poro aperto  
 glass doors in open-pore brushed pickled clay grey ash



vetro molato e serigrafato  
 (opz.587S)  
 screen-printed and ground  
 glass (opt. 587S)

 *colori in pronta consegna*  
*available colours*

SP. 24 MM

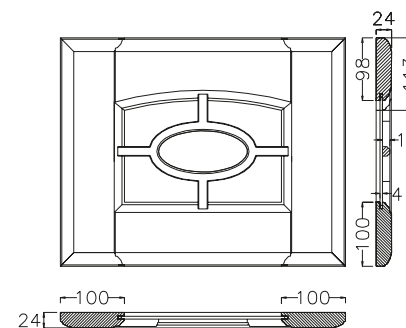


inglesina con vetro antico  
 "F" (opz.587I)  
 glass panels with antique  
 glass "F" (opt. 587I)

inglesina con formella  
 in ceramica dipinta a mano  
 decoro castagne,  
 vetro antico "F" (opz.587IC)  
 glass panels with  
 hand-painted ceramic tile with  
 chestnut decoration, antique  
 glass "F" (opt. 587IC)

inglesina con formella  
 in ceramica dipinta a mano  
 decoro floreale,  
 vetro antico "F" (opz.587IF)  
 glass panels with  
 hand-painted ceramic tile with  
 floral decoration, antique  
 glass "F" (opt. 587IF)

SP. 24 MM



cod. **404** SP. 24 MM **NEW**

# VERONICA

ante in massello di indica laccato bianco assoluto decapè grigio  
doors solid walnut absolute white lacquer pickled grey indica



anta (opz.588)  
door (opt. 588)



anta con grata (opz.588G)  
door with grating  
(opt. 588G)

 *colori in pronta consegna  
available colours*



frontale cestone (opz.588)  
deep drawer front panel  
(opt. 588)

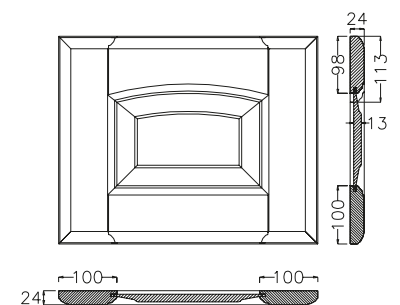


frontale cestone con grata  
(opz.588G)  
deep drawer front panel  
with grating (opt. 588G)



frontale cassetto  
(opz.588)  
drawer front panel  
(opt. 588)

**SP. 24 MM**



cod. **404** SP. 24 MM **NEW**

# VERONICA

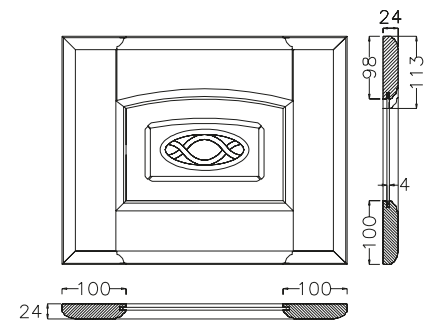
ante vetro in massello di indica laccato bianco assoluto decapè grigio  
 glass doors solid walnut absolute white lacquer pickled grey indica



vetro molato e serigrafato  
 (opz.588S)  
 screen-printed and  
 ground glass (opt. 588S)

 *colori in pronta consegna  
 available colours*

SP. 24 MM

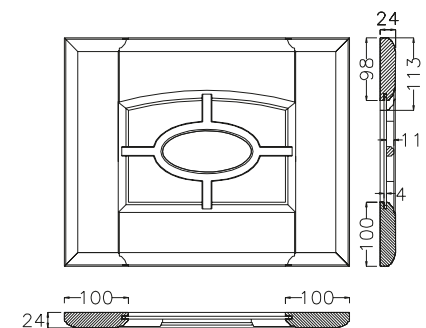


inglesina con vetro antico  
 "F" (opz.588I)  
 glass panels with antique  
 glass "F" (opt. 588I)

inglesina con formella  
 in ceramica dipinta a mano  
 decoro castagne,  
 vetro antico "F" (opz.588IC)  
 glass panels with  
 hand-painted ceramic tile with  
 chestnut decoration, antique  
 glass "F" (opt. 588IC)

inglesina con formella  
 in ceramica dipinta a mano  
 decoro floreale,  
 vetro antico "F" (opz.588IF)  
 glass panels with  
 hand-painted ceramic tile with  
 floral decoration, antique  
 glass "F" (opt. 588IF)

SP. 24 MM



cod. **404** SP. 24 MM **NEW**

# VERONICA

ante in massello di indica tinto noce spazzolato  
doors in brushed solid walnut-stained indica



anta (opz.589)  
door (opt. 589)



anta con grata (opz.589G)  
door with grating  
(opt. 589G)

 *colori in pronta consegna  
available colours*



frontale cestone (opz.589)  
deep drawer front panel  
(opt. 589)

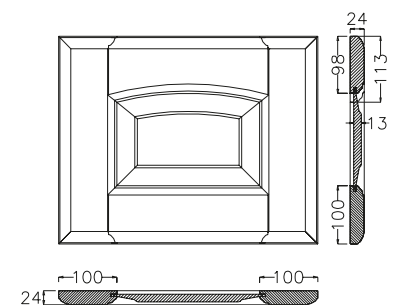


frontale cestone con grata  
(opz.589G)  
deep drawer front panel  
with grating (opt. 589G)



frontale cassetto  
(opz.589)  
drawer front panel  
(opt. 589)

SP. 24 MM



cod. **404** SP. 24 MM **NEW**

# VERONICA

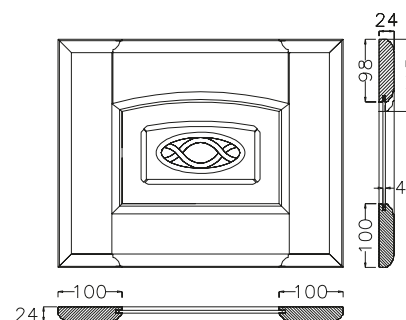
ante vetro in massello di indica tinto noce spazzolato  
 glass doors in brushed solid walnut-stained indica



vetro molato e serigrafato  
 (opz.589S)  
 screen-printed and  
 ground glass (opt. 589S)

 *colori in pronta consegna*  
*available colours*

SP. 24 MM

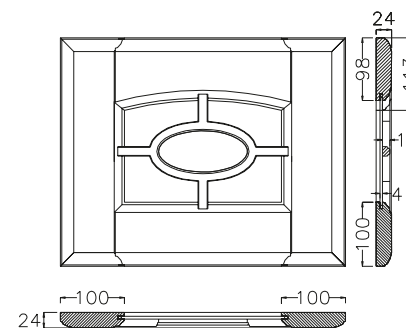


inglesina con vetro antico  
 "F" (opz.589I)  
 glass panels with antique  
 glass "F" (opt. 589I)

inglesina con formella  
 in ceramica dipinta a mano  
 decoro castagne,  
 vetro antico "F" (opz.589IC)  
 glass panels with  
 hand-painted ceramic tile with  
 chestnut decoration, antique  
 glass "F" (opt. 589IC)

inglesina con formella  
 in ceramica dipinta a mano  
 decoro floreale,  
 vetro antico "F" (opz.589IF)  
 glass panels with  
 hand-painted ceramic tile with  
 floral decoration, antique  
 glass "F" (opt. 589IF)

SP. 24 MM





cod. **404** SP. 24 MM **NEW**

# VERONICA

ante in massello di castagno naturale spazzolato  
doors in brushed solid natural chestnut



anta (opz.584)  
door (opt. 584)



anta con grata (opz.584G)  
door with grating  
(opt. 584G)



frontale cestone (opz.584)  
deep drawer front panel  
(opt. 584)

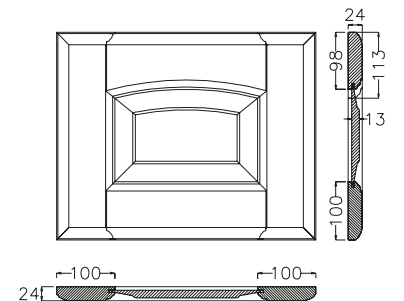


frontale cestone con grata  
(opz.584G)  
deep drawer front panel  
with grating (opt. 584G)



frontale cassetto  
(opz.584)  
drawer front panel  
(opt. 584)

SP. 24 MM



cod. **404** SP. 24 MM **NEW**

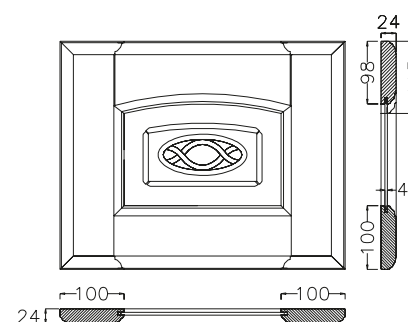
# VERONICA

ante vetro in massello di castagno naturale spazzolato  
 glass doors in brushed solid natural chestnut



vetro molato e serigrafato  
 (opz.584S)  
 screen-printed and  
 ground glass (opt. 584S)

SP. 24 MM

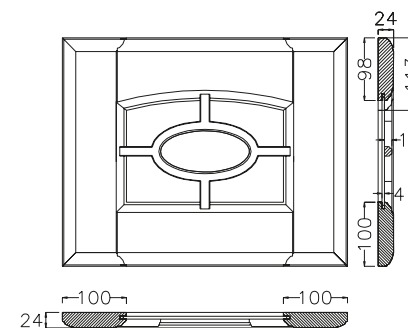


inglesina con vetro antico  
 "F" (opz.584I)  
 glass panels with antique  
 glass "F" (opt. 584I)

inglesina con formella  
 in ceramica dipinta a mano  
 decoro castagne,  
 vetro antico "F" (opz.584IC)  
 glass panels with  
 hand-painted ceramic tile with  
 chestnut decoration, antique  
 glass "F" (opt. 584IC)

inglesina con formella  
 in ceramica dipinta a mano  
 decoro floreale,  
 vetro antico "F" (opz.584IF)  
 glass panels with  
 hand-painted ceramic tile with  
 floral decoration, antique  
 glass "F" (opt. 584IF)

SP. 24 MM



cod. **404** SP. 24 MM **NEW**

# VERONICA

ante in frassino laccato a poro aperto bianco artico  
doors ash with open-pore lacquer finish arctic white



anta bianco artico  
(opz.590)  
arctic white door  
(opt. 590)

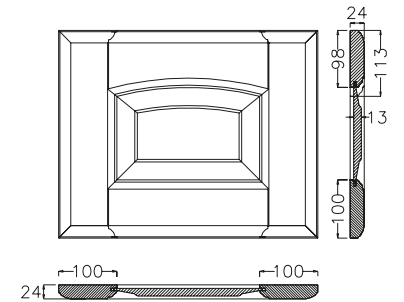


frontale cestone  
bianco artico (opz.590)  
deep drawer front  
arctic white (opt. 590)



frontale cassetto  
bianco artico (opz.590)  
drawer front  
arctic white (opt. 590)

SP. 24 MM



ante vetro in frassino laccato a poro aperto bianco artico  
glass doors ash with open-pore lacquer finish arctic white



vetro molato satinato  
(opz.590)  
ground and frosted  
(opt. 590)

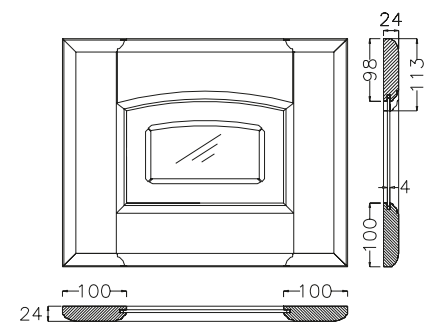


vetro molato bronzo  
(opz.590B)  
ground and bronzed  
(opt. 590B)



vetro molato fumè  
(opz.590F)  
ground and smoked  
(opt. 590F)

SP. 24 MM



cod. **404** SP. 24 MM **NEW**

# VERONICA

ante in frassino laccato a poro aperto cammello  
doors ash with open-pore lacquer finish camel



anta cammello (opz.592)  
camel door (opt. 592)

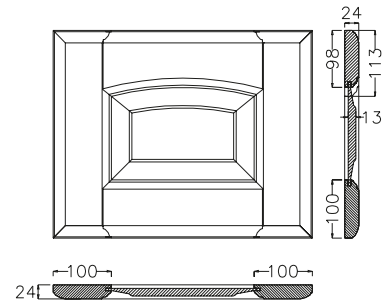


frontale cestone  
cammello (opz.592)  
deep drawer front  
camel (opt. 592)



frontale cassetto  
cammello (opz.592)  
drawer front  
camel (opt. 592)

SP. 24 MM



ante vetro in frassino laccato a poro aperto cammello  
glass doors ash with open-pore lacquer finish camel



vetro molato satinato  
(opz.592)  
ground and frosted  
(opt. 592)

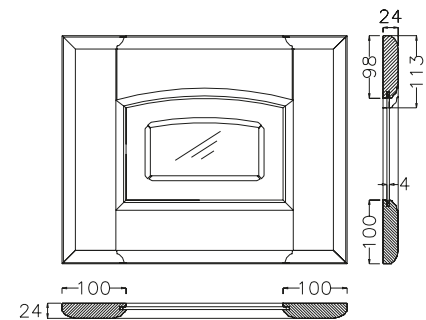


vetro molato bronzo  
(opz.592B)  
ground and bronzed  
(opt. 592B)



vetro molato fumè  
(opz.592F)  
ground and smoked  
(opt. 592F)

SP. 24 MM



cod. **404** SP. 24 MM **NEW**

# VERONICA

ante in frassino laccato a poro aperto grigio fumo  
doors ash with open-pore lacquer finish smoke grey



anta grigio fumo  
(opz.594)  
smoke grey door  
(opt. 594)

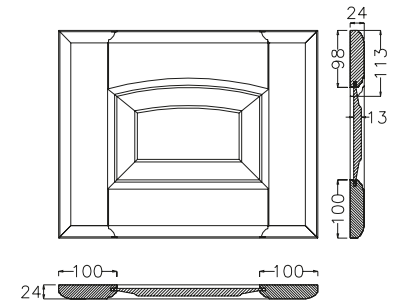


frontale cestone  
grigio fumo (opz.594)  
deep drawer front  
smoke grey (opt. 594)



frontale cassetto  
grigio fumo (opz.594)  
drawer front  
smoke grey (opt. 594)

SP. 24 MM



ante vetro in frassino laccato a poro aperto grigio fumo  
glass doors ash with open-pore lacquer finish smoke grey



vetro molato satinato  
(opz.594)  
ground and frosted  
(opt. 594)

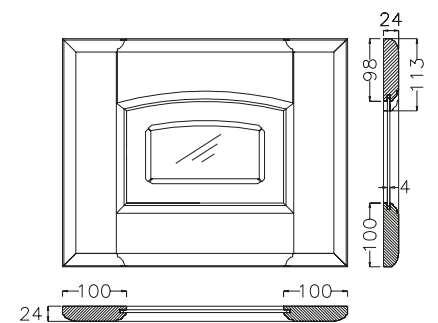


vetro molato bronzo  
(opz.594B)  
ground and bronzed  
(opt. 594B)



vetro molato fumè  
(opz.594F)  
ground and smoked  
(opt. 594F)

SP. 24 MM





cod. **404** SP. 24 MM **NEW**

# VERONICA

ante in frassino laccato a poro aperto sahara  
doors ash with open-pore lacquer finish sahara



anta sahara (opz.591)  
sahara door (opt. 591)

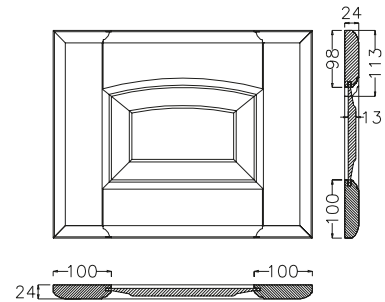


frontale cestone  
sahara (opz.591)  
deep drawer front  
sahara (opt. 591)



frontale cassetto  
sahara (opz.591)  
drawer front  
sahara (opt. 591)

SP. 24 MM



ante vetro in frassino laccato a poro aperto sahara  
glass doors with open-pore lacquer finish sahara



vetro molato satinato  
(opz.591)  
ground and frosted  
(opt. 591)



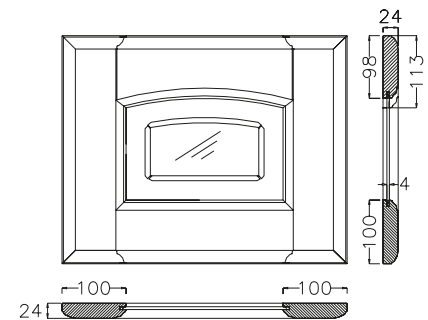
vetro molato bronzo  
(opz.591B)  
ground and bronzed  
(opt. 591B)



vetro molato fumè  
(opz.591F)  
ground and smoked  
(opt. 591F)



SP. 24 MM



cod. **404** SP. 24 MM **NEW**

# VERONICA

ante in frassino laccato a poro aperto grigio luce  
doors ash with open-pore lacquer finish light grey



anta grigio luce (opz.593)  
light grey door (opt. 593)

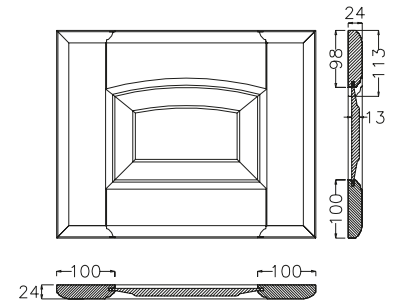


frontale cestone  
grigio luce (opz.593)  
deep drawer front  
light grey (opt. 593)



frontale cassetto  
grigio luce (opz.593)  
drawer front  
light grey (opt. 593)

SP. 24 MM



ante vetro in frassino laccato a poro aperto grigio luce  
glass doors ash with open-pore lacquer finish light grey



vetro molato satinato  
(opz.593)  
ground and frosted  
(opt. 593)



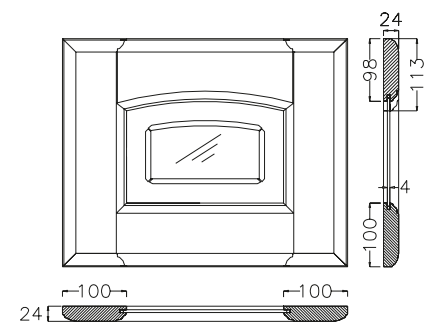
vetro molato bronzo  
(opz.593B)  
ground and bronzed  
(opt. 593B)



vetro molato fumè  
(opz.593F)  
ground and smoked  
(opt. 593F)



SP. 24 MM



cod. **404** SP. 24 MM **NEW**

# VERONICA

ante in frassino laccato a poro aperto piombo  
doors ash with open-pore lacquer finish lead



anta piombo (opz.598)  
lead door (opt. 598)

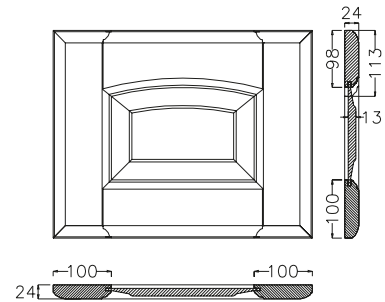


frontale cestone  
piombo (opz.598)  
deep drawer front  
lead (opt. 598)



frontale cassetto  
piombo (opz.598)  
drawer front  
lead (opt. 598)

SP. 24 MM



ante vetro in frassino laccato a poro aperto piombo  
glass doors ash with open-pore lacquer finish lead



vetro molato satinato  
(opz.598)  
ground and frosted  
(opt. 598)

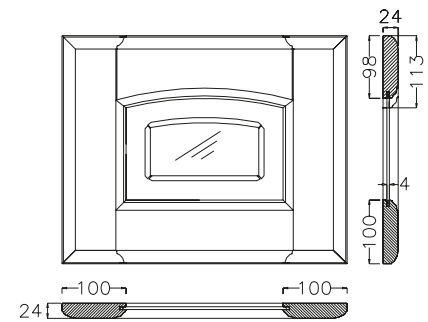


vetro molato bronzo  
(opz.598B)  
ground and bronzed  
(opt. 598B)



vetro molato fumè  
(opz.598F)  
ground and smoked  
(opt. 598F)

SP. 24 MM



cod. **404** SP. 24 MM **NEW**

# VERONICA

ante in frassino laccato a poro aperto grigio reale  
doors ash with open-pore lacquer finish royal grey



anta grigio reale (opz.595)  
royal grey door (opt. 595)

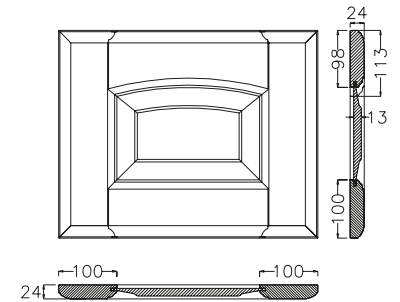


frontale cestone  
grigio reale (opz.595)  
deep drawer front  
royal grey (opt. 595)



frontale cassetto  
grigio reale (opz.595)  
drawer front  
royal grey (opt. 595)

SP. 24 MM



ante vetro in frassino laccato a poro aperto grigio reale  
glass doors ash with open-pore lacquer finish royal grey



vetro molato satinato  
(opz.595)  
ground and frosted  
(opt. 595)



vetro molato bronzo  
(opz.595B)  
ground and bronzed  
(opt. 595B)



vetro molato fumè  
(opz.595F)  
ground and smoked  
(opt. 595F)



vetro molato satinato  
(opz.595)  
ground and frosted  
(opt. 595)

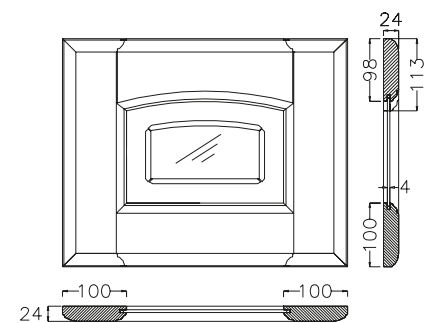


vetro molato bronzo  
(opz.595B)  
ground and bronzed  
(opt. 595B)



vetro molato fumè  
(opz.595F)  
ground and smoked  
(opt. 595F)

SP. 24 MM



cod. **404**

# VERONICA

**elementi da 15 con piastrelle 10x10**

15 cm elements with 10x10 tiles

---

Serie: SASSI DEL PIAVE

Range: SASSI DEL PIAVE



**botticino**  
(opz.120)  
botticino



**travertino noce**  
(opz.125)  
walnut travertine



**scabas**  
(opz.110)  
scabas



**giallo dorè**  
(opz.112)  
golden yellow



**travertino chiaro**  
(opz.127)  
light travertine



**telaio castagno naturale**  
con **piastrelle travertino noce**  
natural chestnut frame  
with travertine walnut tiles



cod. **404**

# VERONICA

## elementi con fresata

elements with groove

---



frassino bianco decapè (opz.583)  
pickled white ash (opt. 583)



frassino argilla decapè grigio (opz.587)  
pickled clay grey ash (opt. 587)



indica laccato bianco assoluto  
decapè grigio (opz.588)  
lacquered white absolute pickled  
grey indica (opt. 588)



indica tinto noce (opz.589)  
walnut-stained indica (opt. 589)



castagno naturale (opz.584)  
natural chestnut (opt. 584)

## cornici sagomate

shaped frame

---



castagno naturale (opz.584)  
natural chestnut (opt. 584)

N.B.: disponibile nelle finiture bianco decapè (opz.583), argilla decapè grigio (opz.587),  
bianco assoluto decapato grigio (opz.588), tinto noce (opz.589)

Note: available for finishes pickled white (opt.583), pickeld clay grey (opt.587),  
absolute white pickled grey (opt.588), walnut stained (opt.589)

cod. **404**

# VERONICA

## elementi con fresata

elements with groove

---



**frassino bianco artico (opz.590)**  
pickled arctic white (opt. 590)



**frassino cammello (opz.592)**  
pickled camel (opt. 592)



**frassino grigio fumo (opz.594)**  
pickled smoke grey (opt. 594)



**frassino sahara (opz.591)**  
pickled sahara (opt. 591)



**frassino grigio luce (opz.593)**  
pickled light grey (opt. 593)



**frassino piombo (opz.598)**  
pickled lead (opt. 598)



**frassino grigio reale (opz.595)**  
pickled royal grey (opt. 595)

## cornici sagomate

shaped frame

---



**grigio luce (opz.593)**  
light grey (opt. 593)

N.B.: disponibile nelle finiture bianco artico (opz.590), cammello (opz.592), grigio fumo (opz.594), sahara (opz.591), grigio reale (opz.595), piombo (opz.598)

Note: available or finishes arctic white (opt.590), camel (opt.592), smoke grey (opt.594), sahara (opt.591), royal grey (opt.595), lead (opt.598)

## MANIGLIE HANDLES

---

### DI SERIE STANDARD



Maniglia 255P finitura piombo spazzolato  
passo 160 mm  
Handle 255P brushed lead finish  
160 mm centre-to-centre distance



Pomo 255PP finitura piombo spazzolato  
utilizzato per elementi da 15  
con maniglia 255P  
Knob hole 255PP brushed lead finish  
used for 15 cm elements with handle 255P



Maniglia 255N finitura nichel satinato  
passo 160 mm  
Handle 255N nickel satin finish  
160 mm centre-to-centre distance



Pomo 255NP finitura nichel satinato  
utilizzato per elementi da 15  
con maniglia 255N  
Knob hole 255NP nickel satin finish  
used for 15 cm elements with handle 255N

### A RICHIESTA ON REQUEST



Maniglia 255R finitura rame antico  
passo 160 mm  
Handle 255R antique copper finish  
160 mm centre-to-centre distance



Pomo 255RP finitura rame antico  
utilizzato per elementi da 15  
con maniglia 255R  
Knob hole 255RP antique copper finish  
used for 15 cm elements with handle 255R



Maniglia 255T finitura ottone antico  
passo 160 mm  
Handle 255T antique brass finish  
160 mm centre-to-centre distance



Pomo 255TP finitura ottone antico  
utilizzato per elementi da 15  
con maniglia 255T  
Knob hole 255TP antique brass finish  
used for 15 cm elements with handle 255T

### A RICHIESTA ON REQUEST



Maniglia 257N finitura nichel satinato  
scuro  
passo 160 mm  
Handle 257N nickel satin finish  
160 mm centre-to-centre distance



Pomo 257NP finitura nichel satinato  
scuro  
utilizzato per elementi da 15  
con maniglia 257N  
Knob hole 257NP nickel satin finish  
used for 15 cm elements with handle 257N



Maniglia 257S finitura silver dark  
passo 160 mm  
Handle 257S dark silver finish  
160 mm centre-to-centre distance



Pomo 257SP finitura silver dark  
utilizzato per elementi da 15  
con maniglia 257S  
Knob hole 257SP dark silver finish  
used for 15 cm elements with handle 257S

### A RICHIESTA ON REQUEST



Maniglia K91 finitura canna di fucile  
spazzolato  
passo 160 mm  
Handle K91 brushed gunmetal finish  
160 mm centre-to-centre distance



Pomo 240P finitura canna di fucile  
spazzolato  
utilizzato per elementi da 15  
con maniglia K91  
Knob hole 240P brushed gunmetal finish  
used for 15 cm elements with handle K91



Maniglia K91G finitura oro  
passo 160 mm  
Handle K91G gold finish  
160 mm centre-to-centre distance



Pomo K91GP finitura oro  
utilizzato per elementi da 15  
con maniglia K91G  
Knob hole K91GP gold finish  
used for 15 cm elements with handle K91G

## MANIGLIE HANDLES

# VERONICA

### A RICHIESTA ON REQUEST



Maniglia 263 finitura nichel opaco con swarovski  
passo 128 mm  
Handle 263 matt nickel finish with swarosky crystals  
128 mm centre-to-centre distance



Pomo 263P finitura nichel opaco con swarovski  
utilizzata per elementi da 15 con maniglia 263  
Knob 263P matt nickel finish with swarosky crystals used for W15 elements with handle 263

### A RICHIESTA ON REQUEST



Maniglia 266 finitura argento orientale  
passo 128 mm  
Handle 266 oriental silver finish  
128 mm centre-to-centre distance



Maniglia 266/1 finitura argento orientale  
passo 64 mm  
utilizzata per elementi da 15  
Handle 266/1 oriental silver finish  
64 mm centre-to-centre distance used for W15 elements

### A RICHIESTA ON REQUEST



Maniglia 264 finitura argento antico  
passo 128 mm  
Handle 264 antique silver finish  
128 mm centre-to-centre distance



Pomo 264P finitura argento antico  
utilizzata per elementi da 15 con maniglia 264  
Knob 264P antique silver finish used for W15 elements with handle 264

### A RICHIESTA ON REQUEST



Maniglia 256P finitura peltro spazzolato  
passo 160 mm  
Handle 256P brushed pewter finish  
160 mm centre-to-centre distance



Pomo 256PP finitura peltro spazzolato  
utilizzato per elementi da 15 con maniglia 256P  
Knob hole 256PP brushed pewter finish used for 15 cm elements with handle 256P

### A RICHIESTA ON REQUEST



Maniglia 224 finitura argento antico  
passo 128 mm  
Handle 224 with antique silver finish  
128 mm centre-to-centre distance



Maniglia 225 finitura argento antico  
passo 128 mm  
Handle 225 with antique silver finish  
128 mm centre-to-centre distance



Pomo 224P finitura argento antico  
utilizzata per elementi da 15 con maniglia 224/225  
Knob hole 224P with antique silver finish used for 15 cm elements with handles 224/225



Pomo 620 in ceramica colore avorio  
Knob hole 620 in ivory ceramic finish

### A RICHIESTA ON REQUEST



Maniglia 227 finitura ottone brunito  
passo 128 mm  
Handle 227 with burnished brass finish  
128 mm centre-to-centre distance



Maniglia 228 finitura ottone vecchio inserto avorio  
passo 128 mm  
Handle 228 with old brass finish with ivory insert  
128 mm centre-to-centre distance



Pomo 228P finitura ottone vecchio  
utilizzata per elementi da 15 con maniglia 227/228  
Knob hole 228P with old brass finish used for 15 cm elements with handle 227/228

## strutture carcasses

NEW



lino effetto tela (opz.8920)  
 schiena e ripiano conchiglia (opz.8910)  
 linen melamine-coated canvas effect (opt.8920)  
 shell back panel and shelf (opt.8910)

NEW



juta effetto tela (opz.9490)  
 schiena e ripiano visone (opz.948M)  
 jute melamine-coated canvas effect (opt.9490)  
 mink back panel and shelf (opt.948M)

NEW



grigio effetto tela (opz.9695)  
 schiena e ripiano argilla (opz.9690)  
 grey melamine-coated canvas effect (opt.9695)  
 clay back panel and shelf (opt.9690)



conchiglia (opz.8910)  
 schiena e ripiano conchiglia (opz.8910)  
 shell (opt.8910)  
 shell back panel and shelf (opt.8910)



visone (opz.948M)  
 schiena e ripiano visone (opz.948M)  
 mink (opt.948M)  
 mink back panel and shelf (opt.948M)



bianco (opz.001)  
 schiena e ripiano bianco (opz.001)  
 white (opt.001)  
 white back panel and shelf (opt.001)



argilla (opz.9690)  
 schiena e ripiano argilla (opz.9690)  
 clay (opt.9690)  
 clay back panel and shelf (opt.9690)



fango (opz.8860)  
 schiena e ripiano fango (opz.8860)  
 mud (opt.8860)  
 mud back panel and shelf (opt.8860)



lavagna (opz.9620)  
 schiena e ripiano lavagna (opz.9620)  
 slate grey (opt.9620)  
 slate grey back panel and shelf (opt.9620)



castagno tinto noce (opz.582)  
 schiena e ripiano bianco (opz.001)  
 walnut-stained chestnut (opt. 582)  
 white back panel and shelf (opt.001)

## mensole in laminato laminate shelves



conchiglia (opz.8910)  
shell (opt.8910)



visone (opz.948M)  
mink (opt.948M)



bianco (opz.001)  
white (opt.001)



argilla (opz.9690)  
clay (opt.9690)



fango (opz.8860)  
mud (opt.8860)



lavagna (opz.9620)  
slate grey (opt.9620)



castagno naturale (opz.581)  
natural chestnut (opt.581)



castagno tinto noce (opz.582)  
walnut-stained chestnut (opt.582)

## mensole impialacciate veneered shelves



bianco decapè (opz.583)  
pickled white (opt. 583)



argilla decapè grigio (opz.587)  
pickled clay grey (opt. 587)



tinto bianco assoluto  
decapè grigio (opz.588)  
walnut white absolute  
pickled grey (opt. 588)



tinto noce (opz.589)  
walnut-stained (opt. 589)



castagno naturale (opz.584)  
natural chestnut (opt. 584)



bianco artico (opz.590)  
arctic white (opt. 590)



cammello (opz.592)  
camel (opt. 592)



grigio fumo (opz.594)  
smoke grey (opt. 594)



sahara (opz.591)  
sahara (opt. 591)



grigio luce (opz.593)  
light grey (opt. 593)



piombo (opz.598)  
lead (opt. 598)



grigio reale (opz.595)  
royal grey (opt. 595)



## zoccoli in pvc H 15 pvc plinths H 15



bianco decapè (opz.003)  
pickled white (opt. 003)



argilla decapè grigio (opz.587)  
pickled clay grey (opt. 587)



tinto bianco assoluto  
decapè grigio (opz.588)  
walnut white absolute pickled  
grey (opt. 588)



tinto noce (opz.589)  
walnut-stained (opt. 589)



castagno naturale (opz.584)  
natural chestnut (opt. 584)



bianco artico (opz.590)  
arctic white (opt. 590)



cammello (opz.592)  
camel (opt. 592)



grigio fumo (opz.594)  
smoke grey (opt. 594)



tortora (opz.2456)  
dove grey (opt. 2456)



grigio luce (opz.593)  
light grey (opt. 593)



piombo (opz.598)  
lead (opt. 598)



grigio reale (opz.595)  
royal grey (opt. 595)

## zoccolo impiallacciati H 15 veneered plinth H 15



bianco decapè (opz.583)  
pickled white (opt. 583)



argilla decapè grigio (opz.587)  
pickled clay grey (opt. 587)



tinto bianco assoluto  
decapè grigio (opz.588)  
walnut white absolute pickled  
grey (opt. 588)



tinto noce (opz.589)  
walnut-stained (opt. 589)



castagno naturale (opz.584)  
natural chestnut (opt. 584)



bianco artico (opz.590)  
arctic white (opt. 590)



cammello (opz.592)  
camel (opt. 592)



grigio fumo (opz.594)  
smoke grey (opt. 594)



sahara (opz.591)  
sahara (opt. 591)



grigio luce (opz.593)  
light grey (opt. 593)



piombo (opz.598)  
lead (opt. 598)



grigio reale (opz.595)  
royal grey (opt. 595)

## cornici cappello top cornices



bianco decapè (opz.583)  
pickled white (opt. 583)



argilla decapè grigio (opz.587)  
pickled clay grey (opt. 587)



tinto bianco assoluto decapè  
grigio (opz.588)  
walnut white absolute pickled  
grey (opt. 588)



tinto noce (opz.589)  
walnut-stained (opt. 589)



castagno naturale (opz.584)  
natural chestnut (opt. 584)



bianco artico (opz.590)  
arctic white (opt. 590)



cammello (opz.592)  
camel (opt. 592)



grigio fumo (opz.594)  
smoke grey (opt. 594)



sahara (opz.591)  
sahara (opt. 591)



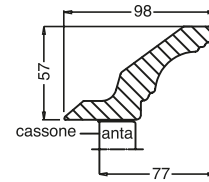
grigio luce (opz.593)  
light grey (opt. 593)



piombo (opz.598)  
lead (opt. 598)



grigio reale (opz.595)  
royal grey (opt. 595)



disegno cornice design cornice

## top H 4 consigliati in laminato bordo postformato

recommended laminate worktops H 4 with post-formed edge

calce finitura wraky  
(opz.814)  
lime with wraky finish  
(opt.814)

tortora finitura plamky  
(opz.1027)  
dove grey with plamky  
finish (opt.1027)

finto marmo brown finitura  
plamky (opz.5555)  
fake brown marble with  
plamky finish (opt.5555)

jaipur finitura plamky  
(opz.5564)  
jaipur with plamky finish  
(opt.5564)

casablanca finitura touch  
(opz.2444)  
casablanca with touch finish  
(opt.2444)

bardiglio grigio finitura  
plamky (opz.6075)  
grey bardiglio with plamky  
finish (opt.6075)

dover finitura plamky  
(opz.5567)  
dover with plamky finish  
(opt.5567)

pietra di nanto finitura wraky  
(opz.812)  
nanto stone with wraky finish  
(opt.812)

beton finitura wraky  
(opz.810)  
beton with wraky finish  
(opt.810)

grigio cemento finitura touch  
(opz.786)  
cement grey touch finish  
(opt.786)

luserna finitura luna  
(opz.3366)  
luserna with luna finish  
(opt.3366)

## top H 4 consigliati in laminato bordo ABS 1

recommended laminate worktops H 4 with ABS 1 edge

marmo nuvolato finitura  
plamky (opz.6074)  
cloudlike marble with  
plamky finish (opt.6074)

acciottolato finitura plamky  
(opz.6078)  
stoney with plamky finish  
(opt.6078)

malta visone vintage finitura  
plamky (opz.5568)  
vintage mink mortar with  
plamky finish (opt.5568)

cemento finitura plamky  
(opz.6066)  
cement with plamky finish  
(opt.6066)

peltro finitura ossidata  
(opz.L934)  
pewter with oxidized finish  
(opt.L934)

old white finitura urban  
(opz.LM11)  
old white with urban finish  
(opt.LM11)

old grey finitura urban  
(opz.LM12)  
old grey with urban finish  
(opt.LM12)

old black finitura urban  
(opz.LM14)  
old black with urban finish  
(opt.LM14)

old dark finitura urban  
(opz.LM13)  
old dark with urban finish  
(opt.LM13)

grey finitura plamky  
(opz.9826)  
grey with plamky finish  
(opt.9826)





VERONICA

## APERTURA VERTICALE

L'anta ad apertura verticale, potendo essere sollevata completamente verso l'alto, consente un accesso totale all'interno del pensile. Ideale per l'impiego in mobili a colonna per nascondere ad esempio apparecchi elettrici, o pensili con corpi mobili sovrastanti, ha la chiusura ammortizzata e la possibilità di regolare la forza di tenuta in base al peso del frontale.

### VERTICAL OPENING

Doors with vertical opening movement can be fully raised to fully access the inside of the wall unit.

Ideal for use on column units to conceal electrical appliances for examples, or on wall units surmounted by mobile units.

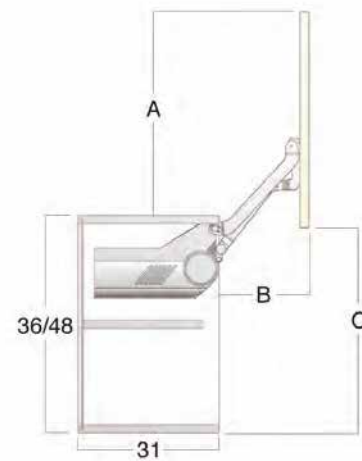
The closing movement is cushioned and the closing force can be adjusted according to the weight of the front door.



**DI SERIE  
STANDARD**



**MOTORIZZATO  
SERVO-DRIVE  
SERVO-DRIVE  
MOTORISED  
(Opz.007)**



	A	B	C	
H 36	34	23,5	34,5	
H 48	43	28,5	43,5	

**PENSILE CON APERTURA ANTE A PACCHETTO**

Il meccanismo d'apertura ante a pacchetto è idoneo sia sul pensile H 72 che H 96; la regolazione della forza di apertura può essere impostata in modo esatto in base ai pesi dei frontali, la chiusura è ammortizzata e la cerniera centrale clip si contraddistingue per l'innovativa tecnologia che garantisce la sicurezza per le dita.

WALL UNIT WITH LIFT-UP FOLDING DOOR

The lift-up folding door opening mechanism is suitable for wall units with H 72 or H 96; the opening force can be adjusted precisely according to the weight of the fronts, while the closing movement is cushioned and the central clip-on hinge features innovative technology for safeguarding the fingers.



**H 72**

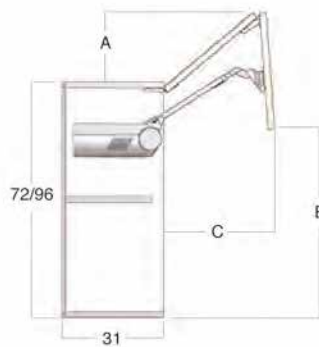


**H 96**

**DI SERIE  
STANDARD**

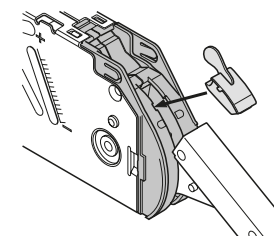
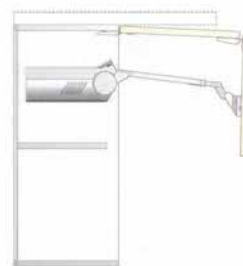


**MOTORIZZATO SERVO-DRIVE  
SERVO-DRIVE MOTORISED (Opz.007)**



	A	B	C
H 72	16,5	54	41
H 96	20	69	53

**SCHEMA MONTAGGIO  
LIMITATORE  
LIMITER INSTALLATION  
DIAGRAM**



Per evitare l'interferenza dell'anta in fase di apertura con cornici o mensole, si può richiedere il limitatore dell'angolo di apertura cod. 5620005

In order to avoid that the door interferes with cornices or shelves during the opening movement, it is possible to request an opening angle limiter: code 5620005



## PENSILE CON APERTURA A RIBALTA

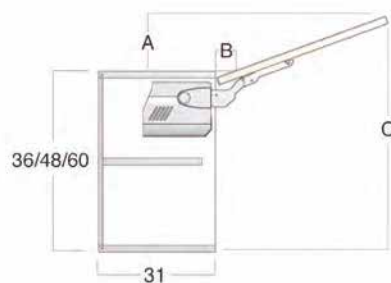
Le ante aprendosi verso l'alto consentono di avere un' ampia visione d'insieme all'interno del mobile. In questo modo è possibile un comodo accesso agli oggetti contenuti al suo interno e, dal punto di vista ergonomico, molto vantaggioso. La regolazione della forza di apertura può essere impostata in modo esatto in base al peso del frontale. Grazie all'arresto progressivo le ante si fermano in qualsiasi posizione; in questo modo la maniglia è sempre facilmente raggiungibile. La chiusura è ammortizzata e un'unica manovra è sufficiente per regolare il frontale tridimensionalmente grazie all'assenza di cerniere e al sistema di aggancio clip.

### WALL UNIT WITH FLAP DOOR

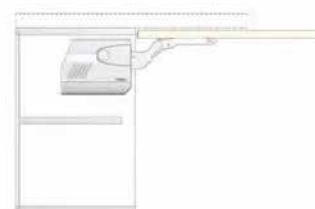
The doors that open upwards guarantee ample overall visibility inside the cabinet. In this way, all objects housed inside the cabinet can be comfortably accessed, making the system highly advantageous from an ergonomic perspective. The opening force can be adjusted precisely depending on the weight of the front. The doors stop in any position thanks to the gradual stopping movement; in this way, the handle is always easily accessible. The closing movement is cushioned and a single manoeuvre is required to three-dimensionally adjust the front, thanks to the clip-on system and the absence of hinges.



### DI SERIE STANDARD



	A	B	C
H 36	11,5	3,5	37
H 48	15	3,5	49
H 60	18,5	3,5	61



Per evitare l'interferenza dell'anta in fase di apertura con cornici o mensole, si può richiedere il limitatore dell'angolo di apertura cod. 5620010

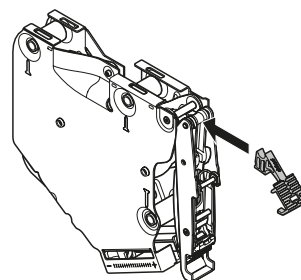
In order to avoid that the door interferes with cornices or shelves during the opening movement, it is possible to request an opening angle limiter: code 5620010

### MOTORIZZATO SERVO-DRIVE SERVO-DRIVE MOTORISED (Opz.007)



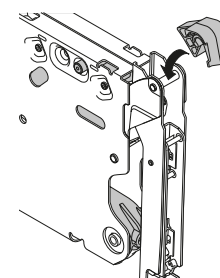
### SCHEMA MONTAGGIO LIMITATORE PER RIBALTA H 36

FLAP DOOR LIMITER INSTALLATION DIAGRAM H 36



### SCHEMA MONTAGGIO LIMITATORE PER RIBALTA H 48

FLAP DOOR LIMITER INSTALLATION DIAGRAM H 48





# TIPOLOGIE CAPPE CAMINO

CHIMNEY HOOD TYPES

**cappa tipo "S"**  
chimney type "S"



**cappa tipo "SN"**  
chimney type "SN"



**cappa tipo "I"**  
chimney type "I"



**cappa tipo "IN"**  
chimney type "IN"



# TIPOLOGIE CAPPE CAMINO

CHIMNEY HOOD TYPES

## cappa tipo "L"

chimney type "L"



## cappa tipo "LN"

chimney type "LN"



## cappa tipo "E"

chimney type "E"



## cappa tipo "AV"

chimney type "AV"



# TIPOLOGIE CAPPE CAMINO

CHIMNEY HOOD TYPES

## cappa isola

chimney island



## cappa isola con piastrelle

chimney island with tiles



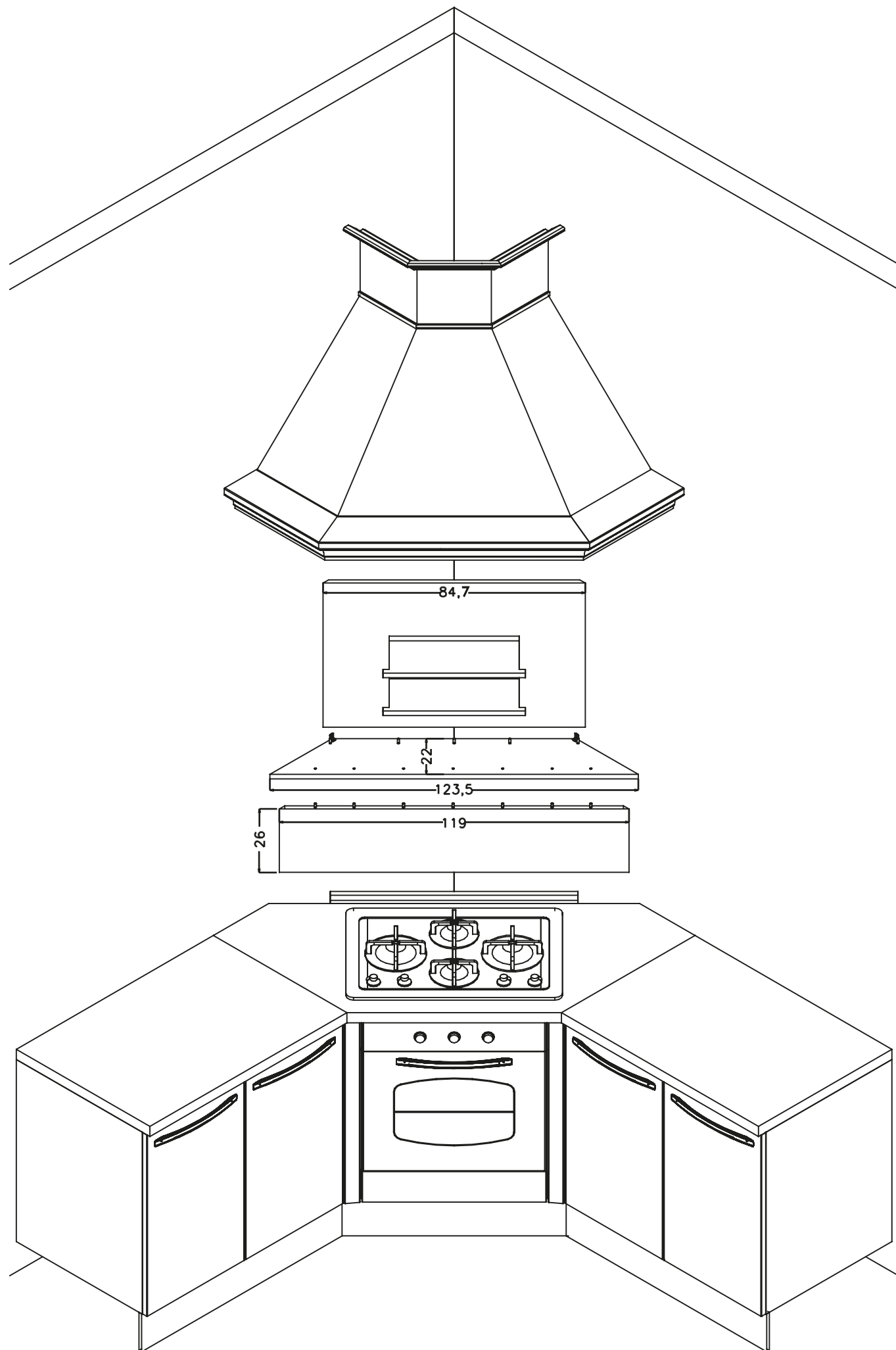
## cappa isola tipo "AV"

chimney island type "AV"



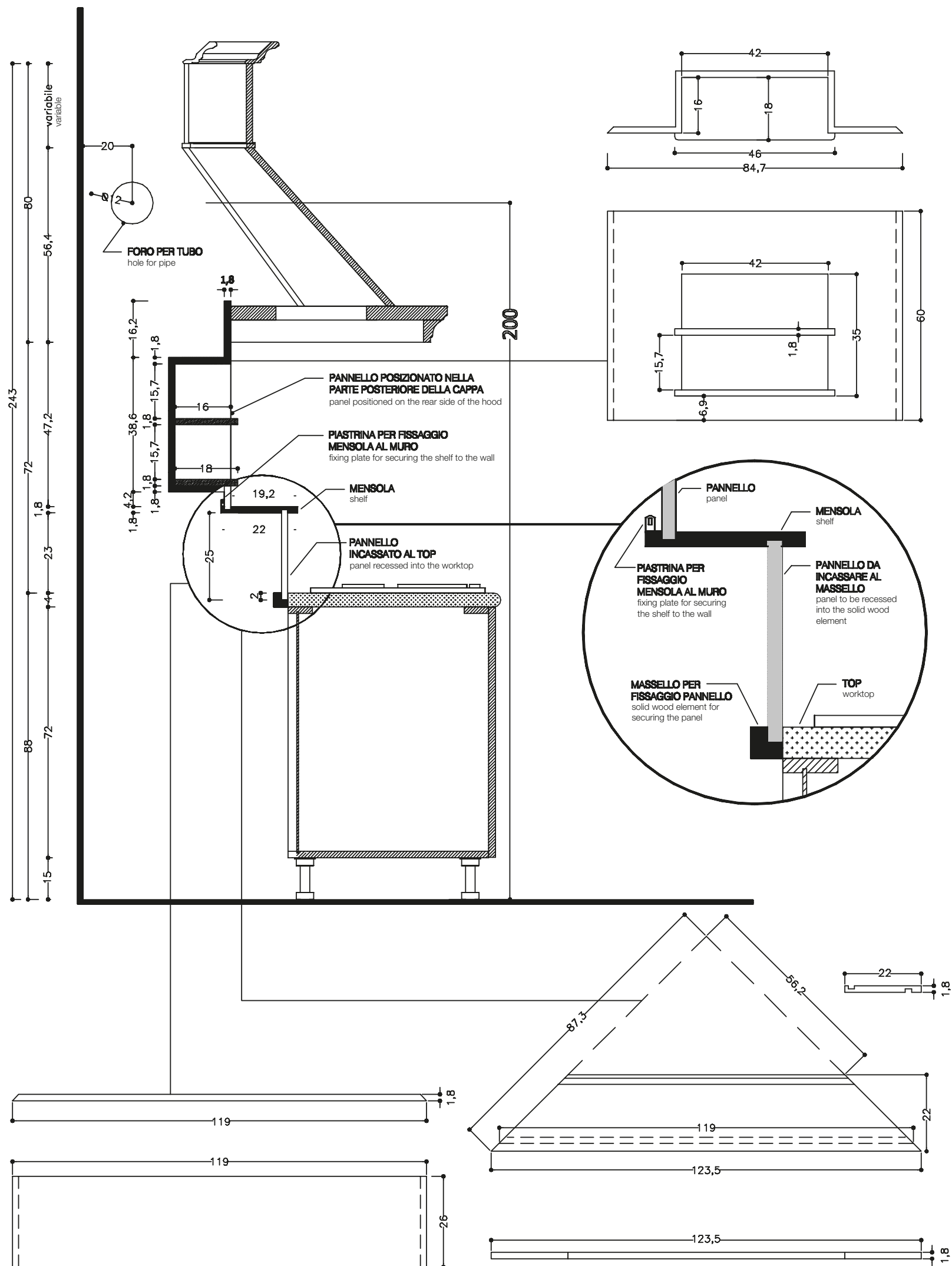
# SCHEMA CAPPA CAMINETTO AD ANGOLO

CORNER CHIMNEY HOOD DIAGRAM



# SCHEMA CAPPA CAMINETTO AD ANGOLO

CORNER CHIMNEY HOOD DIAGRAM



# COLORI PIASTRELLE PER CAPPE

TILE COLOURS FOR HOODS

## Serie: SASSI DEL PIAVE

Range: SASSI DEL PIAVE



botticino  
(opz.120)  
botticino



travertino noce  
(opz.125)  
walnut travertine



scabas  
(opz.110)  
scabas



giallo dorè  
(opz.112)  
golden yellow

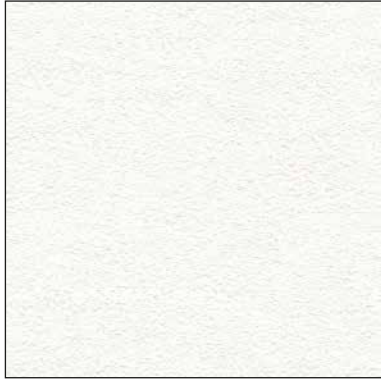


travertino chiaro  
(opz.127)  
light travertine



# COLORI EFFETTO MURO PER CAMINI CAPPE

WALL EFFECT COLOURS FOR CHIMNEY HOODS



**BIANCO ASSOLUTO**  
a rullo (opz.R005)  
frattonato (opz.F005)

ABSOLUTE WHITE  
for roller (opt.R005)  
for trowel (opt.F005)



**CIPRIA**  
a rullo (opz.R114)  
frattonato (opz.F114)

PALE PINK  
for roller (code R114)  
for trowel (code F114)



**PANNA**  
a rullo (opz.R012)  
frattonato (opz.F012)

CREAM  
for roller (code R012)  
for trowel (code F012)



**CORDA**  
a rullo (opz.R125)  
frattonato (opz.F125)

JUTE  
for roller (code R125)  
for trowel (code F125)



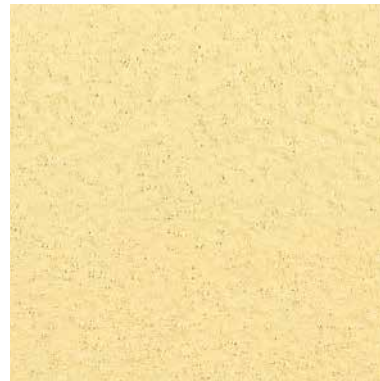
**GRIGIO TRAFFICO**  
a rullo (opz.R260)  
frattonato (opz.F260)

TRAFFIC GREY  
for roller (opt.R260)  
for trowel (opt.F260)



**GRIGIO PERLA**  
a rullo (opz.R255)  
frattonato (opz.F255)

PEARL GREY  
for roller (code R255)  
for trowel (code F255)



**GIALLO CHIARO**  
a rullo (opz.R023)  
frattonato (opz.F023)

LIGHT YELLOW  
for roller (code R023)  
for trowel (code F023)



**CUOIO**  
a rullo (opz.R250)  
frattonato (opz.F250)

LEATHER  
for roller (code R250)  
for trowel (code F250)

# VIVI IL LIVING

LIVE THE LIVING

La grande componibilità degli elementi pensili e delle basi sospese consente di creare composizioni living perfettamente coordinate con la cucina.

Versatile fitting solutions for living room wall units and suspended base units coordinated with kitchen spaces.





# LIVING LV 01



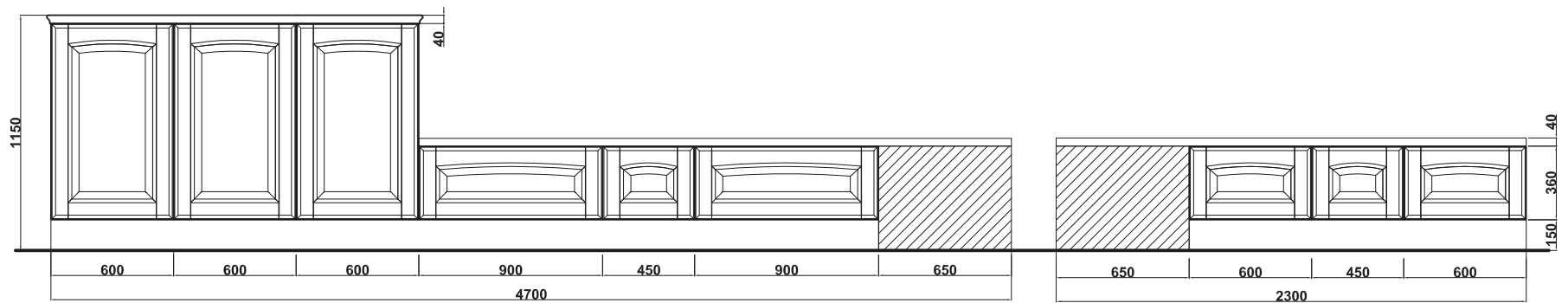
ANTA  
door

BIANCO ASSOLUTO  
DECAPÈ GRIGIO  
absolute white pickled grey

STRUTTURA  
carcass

GRIGIO EFFETTO TELA  
grey canvas effect

# LIVING LV 01



NR. ELEMENTI	DESCRIZIONE	CODICE
2	Colonna L 60 H 96 P 60,1 apertura push-pull, 1 fianco come anta	E6040601/2
1	Colonna L 60 H 96 P 60,1 apertura push-pull	E6040601/2
2	Base living L 90 H 36 P 60,1, cestone apertura tip-on	E4204900
2	Base living L 45 H 36 P 60,1, apertura push-pull	E4026451/2
1	Base living L 60 H 36 P 60,1, apertura push-pull	E4026601/2
1	Base living L 60 H 36 P 60,1, apertura push-pull, 1 fianco come anta	E4026601/2
1	Base angolo 65x65 H 36 P 60,1 (solo angolare)	E4480360
1	Top L 183,8 P 62 SP.4 agglomerato di marmo grigio carnico	al ml TAMS406
2	Maggiorazione finitura laterale come frontale top	T9LFT
1	Mensola L 290 P 61 SP.3,8 impiallacciata come anta	al ml 091729
1	Mensola L 169 P 61 SP.3,8 impiallacciata come anta	al ml 091729
1	Zoccolo L 606 H 15 impiallacciato come anta	al ml 092500
2	Zoccolo laterale H 15 con angolare impiallacciato come anta	092521/2
1	Giunzione 90° H 15 per zoccolo impiallacciato come anta	092550
1	Giunzione lineare H 15 per zoccolo impiallacciato come anta	092551
No. of ELEMENTS	DESCRIPTION	CODE
2	Column W 60 H 96 D 60,1 push-pull opening, 1 side same as door	E6040601/2
1	Column W 60 H 96 D 60,1 push-pull opening	E6040601/2
2	Living base unit W 90 H 36 D 60,1, deep drawer tip-on opening	E4204900
2	Living base unit W 45 H 36 D 60,1, push-pull opening	E4026451/2
1	Living base unit W 60 H 36 D 60,1, push-pull opening	E4026601/2
1	Living base unit W 60 H 36 D 60,1 push-pull opening, 1 side same as door	E4026601/2
1	Corner base unit W 65x65 H 36 D 60,1 (only angular filler)	E4480360
1	Marble agglomerate grey carnico worktop W 183,8 D 62 TH.4	per lm TAMS406
2	Surcharge for side profile to match front profile worktop	T9LFT
1	Veneered shelf W 290 D 61 TH.3,8 same colour as door	per lm 091729
1	Veneered shelf W 169 D 61 TH.3,8 same colour as door	per lm 091729
1	Veneered plinth W 606 H 15 same colour as door	per lm 092500
2	Veneered lateral plinth H 15 with angular same colour as door	092521/2
1	Junction at 90° for veneered H 15 same colour as door	092550
1	Linear junction for veneered plinth H 15 same colour as door	092551



# LIVING LV 02

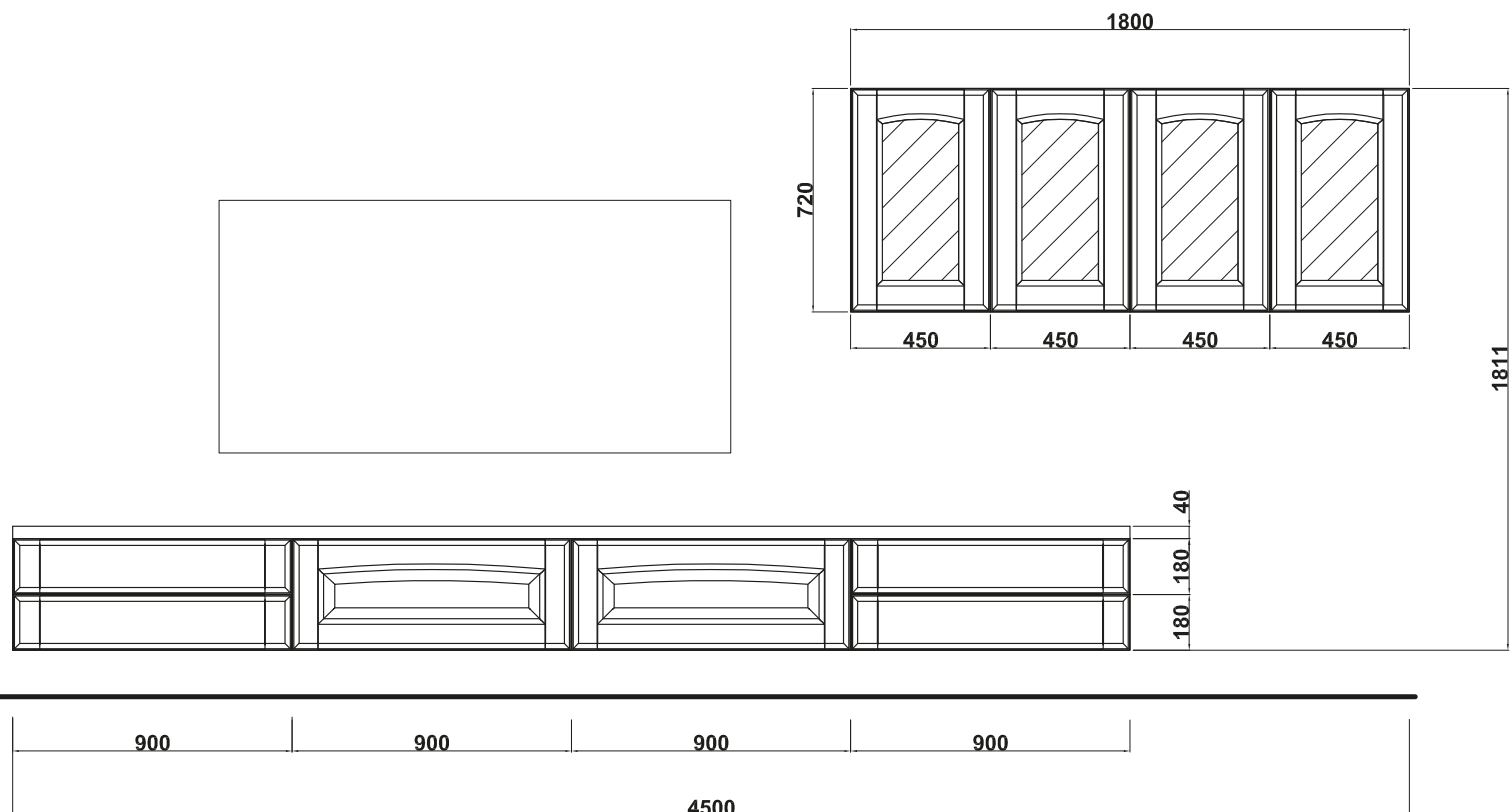


ANTA  
door



STRUTTURA  
carcass





NR. ELEMENTI	DESCRIZIONE	CODICE
2	Pensile vetro molato L 90 H 72 P 33,6 apertura push-pull, ripiano in vetro, 1 fianco come anta	E1010900
2	Base living sospesa L 90 H 36 P 50,6 2 cassetti apertura tip-on, 1 fianco come anta	EBL73900
2	Base living sospesa L 90 H 36 P 50,6 1 cestone apertura tip-on	EBL75900
2	Top L 180 P 50,6 SP.4 dehton entzo opaco profilo P	al ml TDEP405
2	Maggiorazione finitura laterale come frontale top	T9LFT
1	Asta appendipensili ml 2	08610501
No. of ELEMENTS	DESCRIPTION	CODE
2	Bevelled glass wall unit W 90 H 72 D 33,6 push-pull opening, glass shelf, 1 side same as door	E1010900
2	Hanging living base unit W 90 H 36 D 50,6 2 drawers tip-on opening, 1 side same as door	EBL73900
2	Hanging living base unit W 90 H 36 D 50,6 1 deep drawer tip-on opening	EBL75900
2	Dekton matt entzo P profile worktop W 180 D 50,6 TH.4	per lm TDEP405
2	Surcharge for side profile to match front profile worktop	T9LFT
1	Wall unit fixing strip lm 2	08610501



# LIVING LV 03

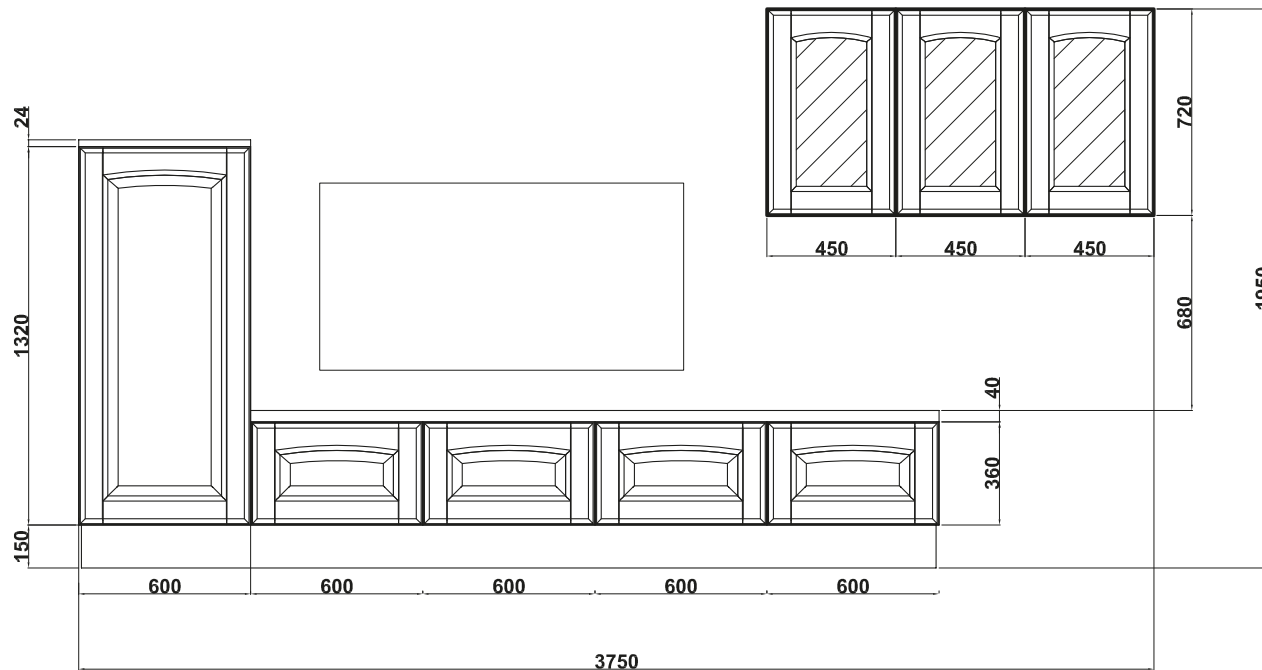


ANTA  
door



STRUTTURA  
carcass





NR. ELEMENTI	DESCRIZIONE	CODICE
2	Pensile vetro molato L 45 H 72 P 33,6 apertura push-pull, ripiano in vetro, 1 fianco come anta	E1010451/2
1	Pensile vetro molato L 45 H 72 P 33,6 apertura push-pull, ripiano in vetro	E1010451/2
1	Colonna L 60 H 132 P 60,1 apertura push-pull, fianchi come anta	E6050601/2
3	Base living L 60 H 36 P 60,1 apertura push-pull	E4026601/2
1	Base living L 60 H 36 P 60,1 apertura push-pull, 1 fianco come anta	E4026601/2
1	Top living L 60 P 60,1 SP. 2,4 impiallacciato come anta	al ml TIL248
1	Top L 240 P 61 SP. 4 laminam arabescato opaco	al ml TLNP405
2	Maggiorazione finitura laterale come frontale top	T9LFT
1	Zoccolo L 300 H 15 impiallacciato come anta	al ml 092500
2	Zoccolo laterale H 15 con angolare impiallacciato come anta	092521/2
1	Asta appendipensili ml 2	08610501
No. of ELEMENTS	DESCRIPTION	CODE
2	Bevelled glass wall unit W 45 H 72 D 33,6 push-pull opening, glass shelf, 1 side same as door	E1010451/2
1	Bevelled glass wall unit W 45 H 72 D 33,6 push-pull opening, glass shelf	E1010451/2
1	Column W 60 H 132 D 60,1 push-pull opening, sides same as door	E6050601/2
3	Living base unit W 60 H 36 D 60,1 push-pull opening	E4026601/2
1	Living base unit W 60 H 36 D 60,1 push-pull opening, 1 side same as door	E4026601/2
1	Veneered living worktop W 60 D 60,1 TH.2,4 same colour as door	per lm TIL248
1	Laminam matt arabesque worktop W 240 D 61 TH.4	per lm TLNP405
2	Surcharge for side profile to match front profile worktop	T9LFT
1	Veneered plinth W 300 H 15 same colour as door	per lm 092500
2	Veneered lateral plinth H 15 with angular same colour as door	092521/2
1	Wall unit fixing strip lm 2	08610501



# LIVING LV 04

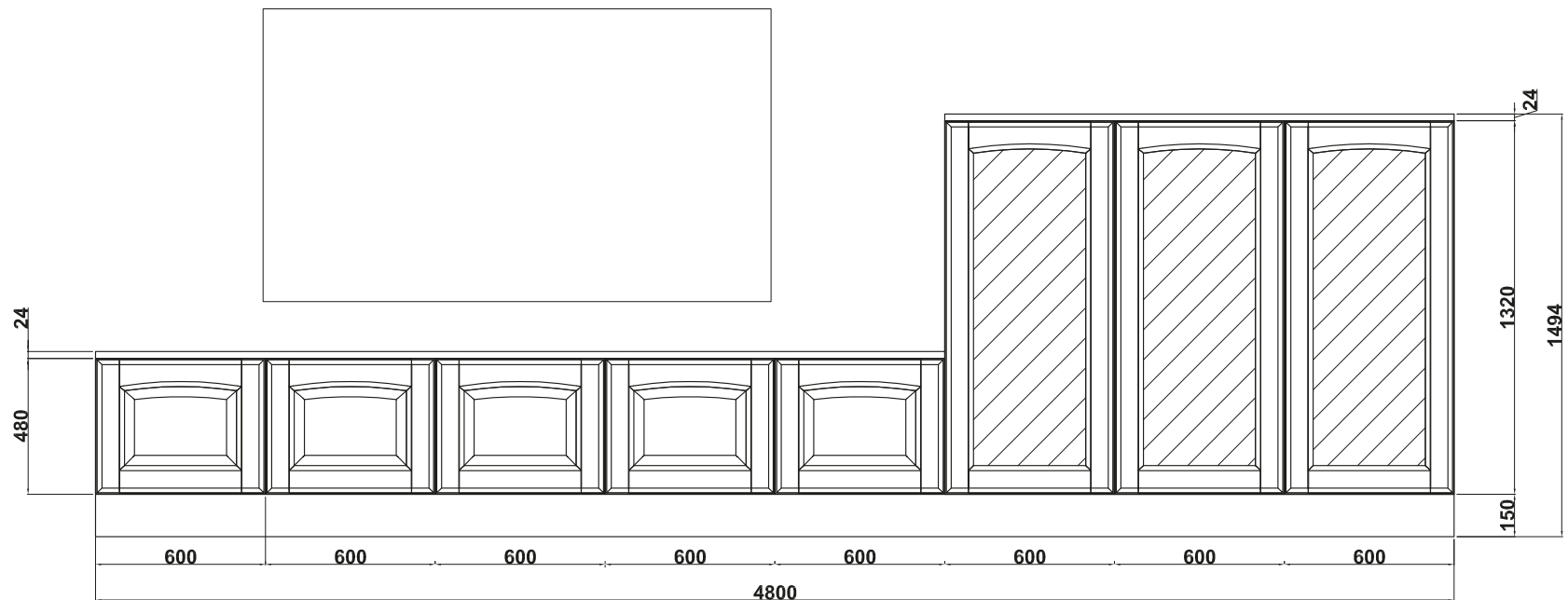


ANTA  
door



STRUTTURA  
carcass





NR. ELEMENTI	DESCRIZIONE	CODICE
2	Colonna vetro molato L 60 H 132 P 60,1 apertura push-pull, ripiani in vetro, 1 fianco come anta	E6180601/2
1	Colonna vetro molato L 60 H 132 P 60,1 apertura push-pull, ripiani in vetro	E6180601/2
4	Base living L 60 H 48 P 60,1 apertura push-pull	E4028601/2
1	Base living L 60 H 48 P 60,1 apertura push-pull, 1 fianco come anta	E4028601/2
1	Top living L 180 P 60,1 SP. 2,4 impiallacciato come anta	al ml TIL248
1	Top living L 300 P 60,1 SP. 2,4 impiallacciato come anta	al ml TIL248
1	Zoccolo L 480 H 15 impiallacciato come anta	al ml 092500
2	Zoccolo laterale H 15 con angolare impiallacciato come anta	092521/2
1	Giunzione lineare H 15 per zoccolo impiallacciato come anta	092551
No. of ELEMENTS	DESCRIPTION	CODE
2	Bevelled glass column W 60 H 132 D 60,1 push-pull opening, glass shelves, 1 side same as door	E6180601/2
1	Bevelled glass column W 60 H 132 D 60,1 push-pull opening, glass shelves	E6180601/2
4	Living base unit W 60 H 48 D 60,1 push-pull opening	E4028601/2
1	Living base unit W 60 H 48 D 60,1 push-pull opening, 1 side same as door	E4028601/2
1	Veneered living worktop W 180 D 60,1 TH.2,4 same colour as door per lm	TIL248
1	Veneered living worktop W 300 D 60,1 TH.2,4 same colour as door per lm	TIL248
1	Veneered plinth W 480 H 15 same colour as door	per lm 092500
2	Veneered lateral plinth H 15 with angular same colour as door	092521/2
1	Linear junction for veneered plinth H 15 same colour as door	092551



# LIVING LV 05

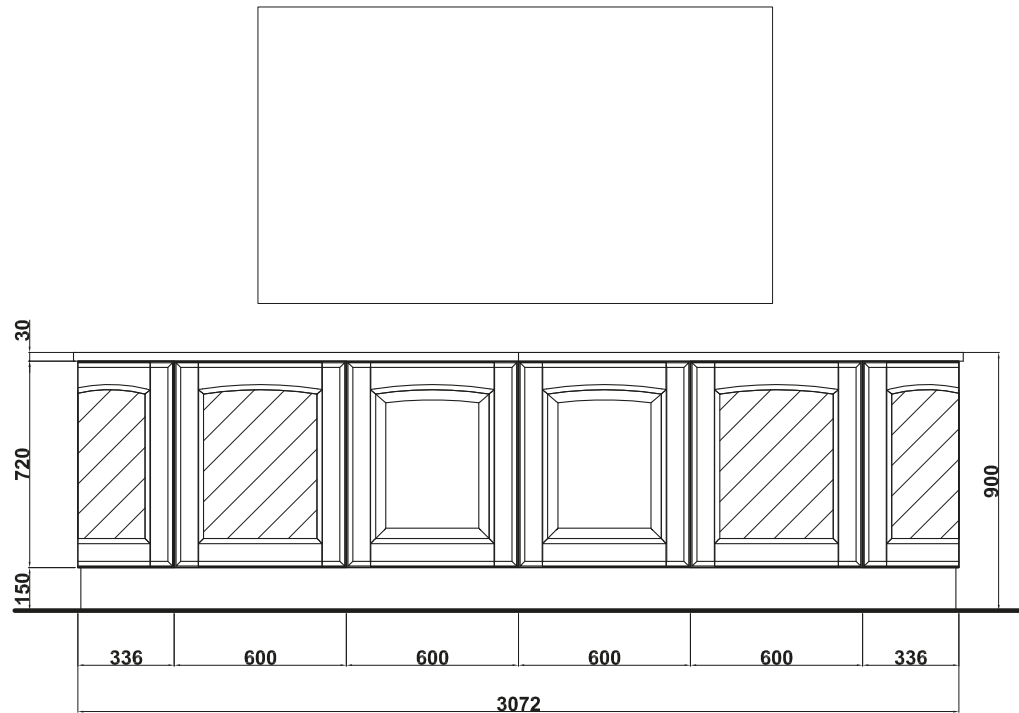


ANTA  
door



STRUTTURA  
carcass





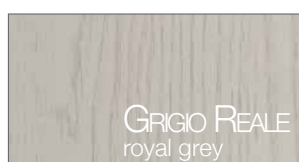
NR. ELEMENTI	DESCRIZIONE	CODICE
2	Base terminale L 33,6 H 72 P 60,1, anta vetro curva + anta chiusa, apertura push-pull, predisposta per faretto, 2 ripiani vetro	E4663321/2
2	Faretto "ATOM" led finitura alluminio	08617086
1	Alimentatore per faretto "ATOM" 15W	08617150
2	Base L 60 H 72 P 60,1, anta vetro, apertura push-pull, 2 ripiani vetro	E4014601/2
4	Profilo led L 60 per ripiano vetro	08616233
1	Alimentatore per profilo led 50W	08616192
2	Base L 60 H 72 P 60,1, apertura push-pull	E4010601/2
2	Top L 154,5 P 61 SP.3 granito nero africa lucido	al ml TGRP305
2	Maggiorazione per lavorazione terminale stondato su top	T9TE2
1	Zoccolo L 240 H 15 impiallacciato come anta	al ml 092500
2	Zoccolo terminale curvo H 15 impiallacciato come anta	092541/2
2	Giunzione lineare H 15 per zoccolo impiallacciato come anta	092551
No. of ELEMENTS	DESCRIPTION	CODE
2	End base unit W 33,6 H 72 D 60,1 curved glass door + full door, push-pull opening, configured for spotlight, 2 glass shelves	E4663321/2
2	"ATOM" led spotlight aluminium finish	08617086
1	Power supply for "ATOM" spotlight 15W	08617150
2	Base unit W 60 H 72 D 60,1, glass door, push-pull opening, 2 glass shelves	E4014601/2
4	Led profile W 60 for glass shelf	08616233
1	Power supply for led profile 50W	08616192
2	Base unit W 60 H 72 D 60,1, push-pull opening	E4010601/2
2	Granite polished africa black worktop W 154,5 D 61 TH.3	per lm TGRP305
2	Rounded end unit surcharge for worktop	T9TE2
1	Veneered plinth W 240 H 15 same colour as door	per lm 092500
2	Veneered curved terminal plinth H 15 same colour as door	092541/2
2	Veneered junction for plinth H 15 same colour as door	092551



# LIVING LV 06



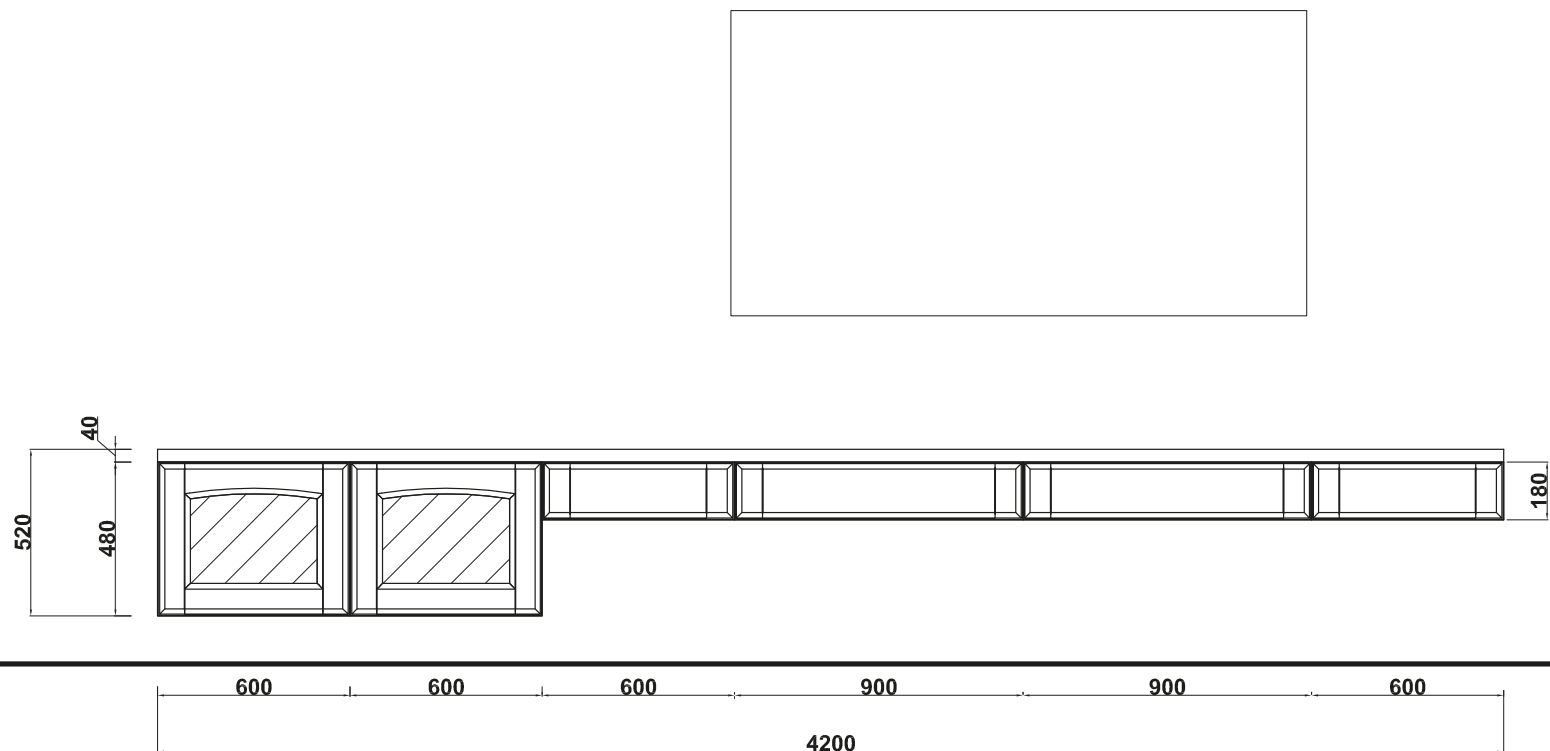
ANTA  
door



STRUTTURA  
carcass



# LIVING LV 06



NR. ELEMENTI	DESCRIZIONE	CODICE
2	Base living sospesa a vetro L 60 H 48 P 50,6, apertura push-pull, 1 fianco come anta	EBL80601/2
1	Base living sospesa L 60 H 18 P 50,6, cassetto apertura tip-on	EBL72600
1	Base living sospesa L 60 H 18 P 50,6, cassetto apertura tip-on, 1 fianco come anta	EBL72600
2	Base living sospesa L 90 H 18 P 50,6, cassetto apertura tip-on	EBL72900
1	Top L 120 P 50,6 SP.4 dehton kelya opaco profilo P	al ml TDEP405
1	Top L 300 P 50,6 SP.4 dehton kelya opaco profilo P	al ml TDEP405
2	Maggiorazione finitura laterale come frontale top	T9LFT
<b>TOTALE</b>		
No. of ELEMENTS	DESCRIPTION	CODE
2	Hanging living base unit glass door W 60 H 48 D 50,6 push-pull opening, 1 side same as door	EBL80601/2
1	Hanging living base unit W 60 H 18 D 50,6, 1 drawer tip-on opening	EBL72600
1	Hanging living base unit W 60 H 18 D 50,6, 1 drawer tip-on opening, 1 side same as door	EBL72600
2	Hanging living base unit W 90 H 18 D 50,6, 1 drawer tip-on opening	EBL72900
1	Dekton matt kelia P profile worktop W 120 D 50,6 TH.4	per lm TDEP405
1	Dekton matt kelia P profile worktop W 300 D 50,6 TH.4	per lm TDEP405
2	Surcharge for side profile to match front profile worktop	T9LFT
<b>TOTAL</b>		



# LIVING LV 07



ANTA  
door



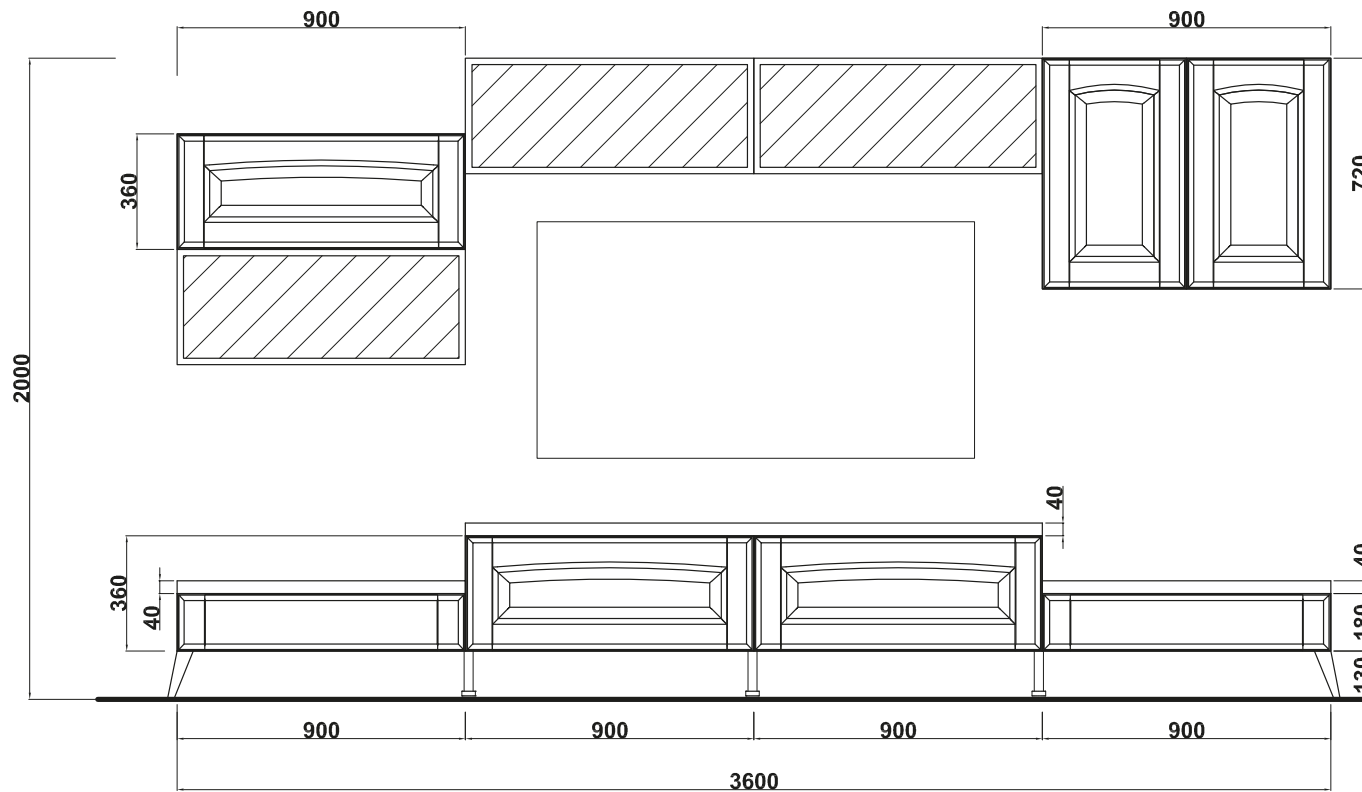
CASTAGNO NATURALE  
natural chestnut

STRUTTURA  
carcass



LINO EFFETTO TELA  
linen canvas effect

# LIVING LV 07



NR. ELEMENTI	DESCRIZIONE	CODICE
1	Pensile L 90 H 36 P 33,6 apertura tip-on, fianchi come anta	E210090T
1	Pensile L 90 H 72 P 33,6 apertura push-pull, fianchi come anta	E2010900
2	Base living L 90 H 18 P 50,6, cassetto apertura tip-on, 1 fianco come anta	EBL03900
2	Base living L 90 H 36 P 50,6, cestone apertura tip-on, 1 fianco come anta	EBL25900
2	Top living L 90 P 50,6 SP. 4 impiallacciato come anta	al ml TIL446
1	Top living L 180 P 50,6 SP. 4 impiallacciato come anta	al ml TIL446
1	Basamento L 360 P 48 H 13 in metallo laccato	W9ZG03603
1	Asta appendipensili ml 2	08610501
<b>TOTALE</b>		
No. of ELEMENTS	DESCRIPTION	CODE
1	Wall unit W 90 H 36 D 33,6 tip-on opening, sides same as door	E210090T
1	Wall unit W 90 H 72 D 33,6 push-pull opening, sides same as door	E2010900
2	Living base unit W 90 H 18 D 50,6, drawer tip-on opening, 1 side same as door	EBL03900
2	Living base unit W 90 H 36 D 50,6, deep drawer tip-on opening, 1 side same as door	EBL25900
2	Veneered living worktop W 90 D 50,6 TH.4 same colour as door	per lm TIL446
1	Veneered living worktop W 180 D 50,6 TH.4 same colour as door	per lm TIL446
1	Metal lacquered basement W 360 D 48 H 13	W9ZG03603
1	Wall unit fixing strip lm 2	08610501
<b>TOTAL</b>		



# LIVING LV 08



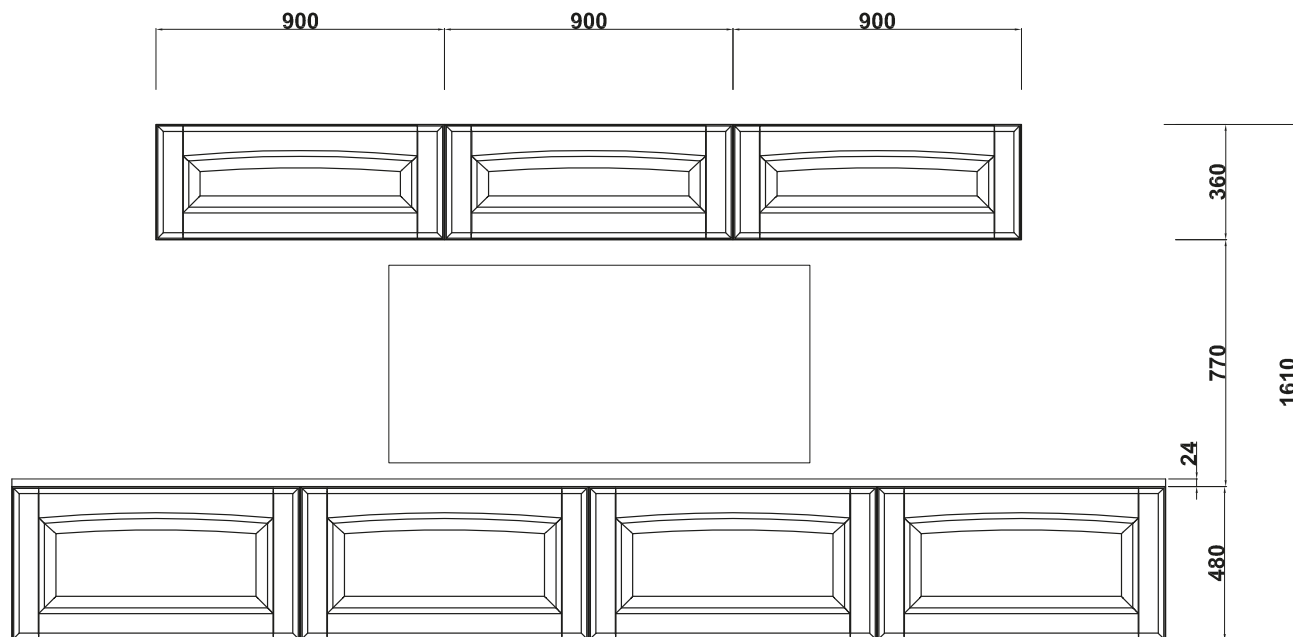
ANTA  
door



STRUTTURA  
carcass







NR. ELEMENTI	DESCRIZIONE	CODICE
2	Pensile L 90 H 36 P 33,6 ribalta, 1 fianco come anta	E2100900
1	Pensile L 90 H 36 P 33,6 ribalta	E2100900
2	Base living sospese L 90 H 48 P 50,6, cestone, 1 fianco come anta	EBL85900
2	Base living sospese L 90 H 48 P 50,6, cestone	EBL85900
2	Top living L 180 P 50,6 SP. 2,4 impiallacciato come anta	al ml TIL246
2	Asta appendipensili ml 2	08610501
<b>TOTALE</b>		
No. of ELEMENTS	DESCRIPTION	CODE
2	Wall unit W 90 H 36 D 33,6 flap door, 1 side same as door	E2100900
1	Wall unit W 90 H 36 D 33,6 flap door	E2100900
2	Hanging living base unit W 90 H 48 D 50,6 deep drawer, 1 side same as door	EBL85900
2	Hanging living base unit W 90 H 48 D 50,6 deep drawer	EBL85900
2	Veneered living worktop W 180 D 50,6 TH.2,4 same colour as door	per lm TIL246
2	Wall unit fixing strip lm 2	08610501
<b>TOTAL</b>		

# LIVING LV 09



ANTA  
door

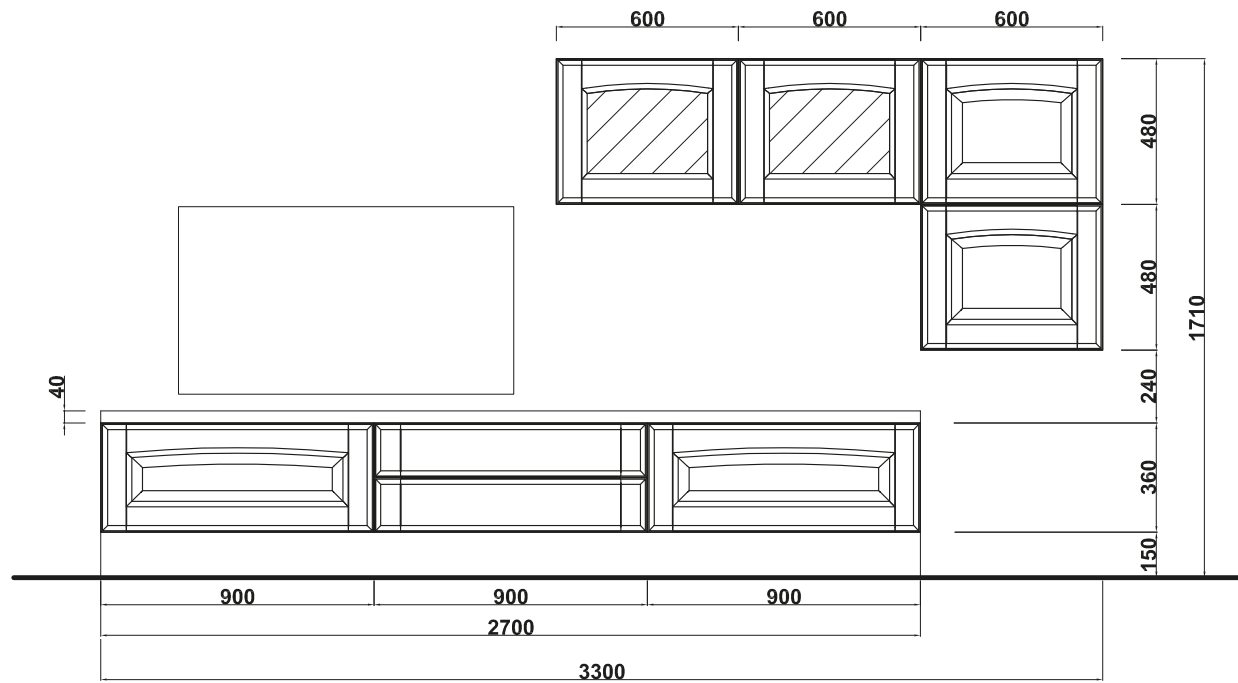


CASTAGNO NATURALE  
natural chestnut

STRUTTURA  
carcass



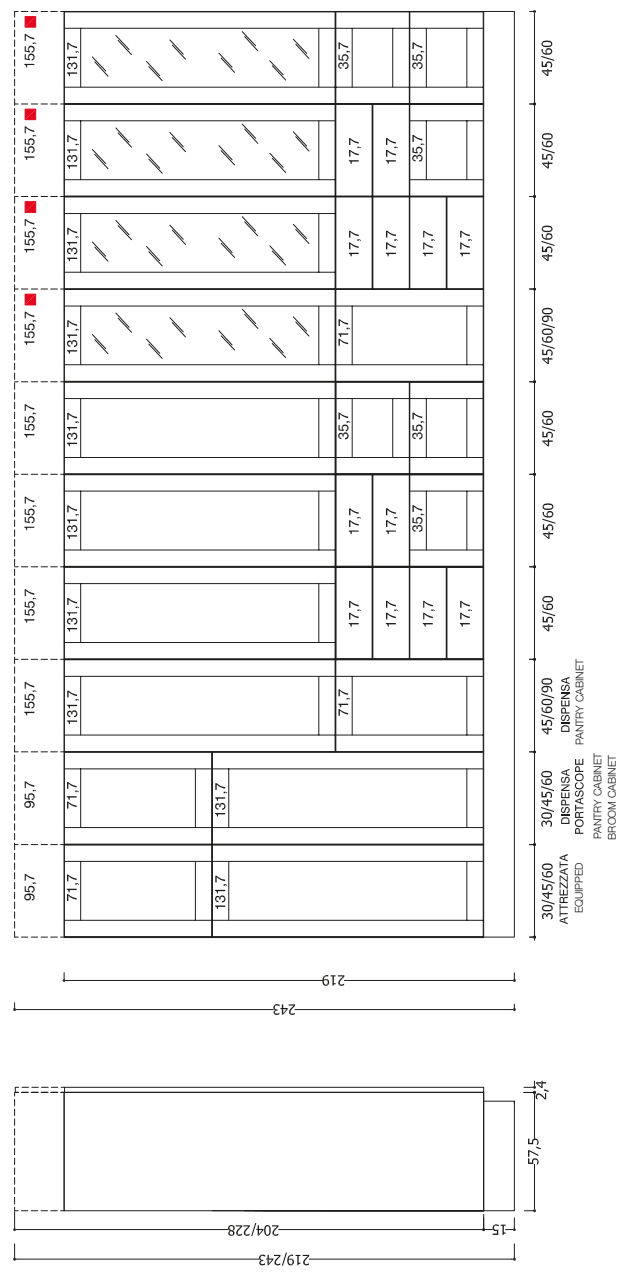
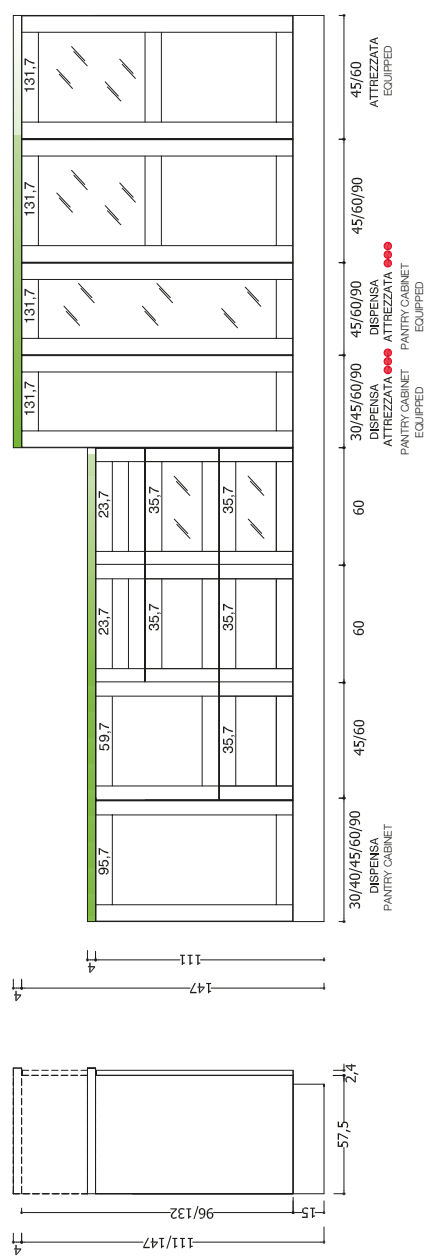
LINO EFFETTO TELA  
linen canvas effect



NR. ELEMENTI	DESCRIZIONE	CODICE
1	Pensile vetro serigrafato L 60 H 48 P 33,6 a ribalta, apertura presa sul fondo, ripiano vetro, 1 fianco come anta	E1120600
1	Pensile vetro serigrafato L 60 H 48 P 33,6 a ribalta, apertura presa sul fondo, ripiano vetro	E1120600
1	Pensile L 60 H 48 P 33,6 apertura tip-on, 1 fianco come anta	E212060T
1	Pensile L 60 H 48 P 33,6 apertura tip-on, fianchi come anta	E212060T
2	Base living L 90 H 51 P 60,1, cestone apertura tip-on, 1 fianco come anta	E4204900
1	Base living L 90 H 51 P 60,1, 2 cassetti, apertura tip-on	E4204910
1	Top L 270 P 61 SP. 4 kerlite calacatta opaco	al ml TKRP405
2	Maggiorazione finitura laterale come frontale per top	T9LFT
1	Zoccolo L 270 H 15 impiallacciato come anta	al ml 092500
2	Zoccolo laterale H 15 con angolare impiallacciato come anta	092521/2
2	Asta appendipensili ml 2	08610501
<b>TOTALE</b>		
No. of ELEMENTS	DESCRIPTION	CODE
1	Wall unit W 60 H 48 D 33,6 screen-printed glass flap door, grip bottom opening, 1 side same as door	E1120600
1	Wall unit W 60 H 48 D 33,6 glass flap door, grip bottom opening	E1120600
1	Wall unit W 60 H 48 D 33,6 tip-on opening, 1 side same as door	E212060T
1	Wall unit W 60 H 48 D 33,6 tip-on opening, sides same as door	E212060T
2	Base unit W 90 H 51 D 60,1, deep drawer tip-on opening 1 side same as door	E4204900
1	Base unit W 90 H 51 D 60,1, 2 drawers tip-on opening	E4204910
1	Kerlite matt calacatta worktop W 270 D 61 TH.4	per lm TKRP405
2	Surcharge for side profile to match front profile worktop	T9LFT
1	Veneered plinth W 270 H 15 same colour as door	per lm 092500
2	Veneered plinth lateral H 15 complete angular, same colour as door	092521/2
2	Wall unit fixing strip lm 2	08610501
<b>TOTAL</b>		



# MODULARITÀ E COMPONENTIBILITÀ MODULARITÀ AND FITTING SOLUTIONS



■ ANTA VETRO SOLO 45  
GLASS DOOR ONLY 45



# MODULARITÀ E COMPONIBILITÀ MODULARITY AND FITTING SOLUTIONS

